

IoT SuperServer SYS-E100-13AD-E

Key Applications

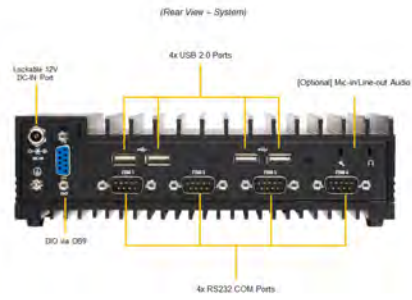
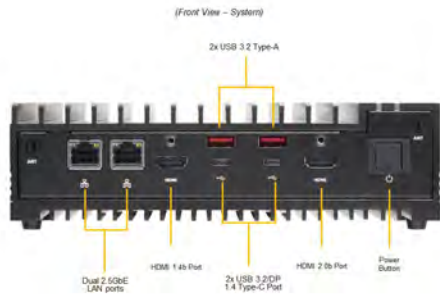
Industrial Automation, Retail, Smart Medical Expert Systems, Digital Signage Kiosk, Interactive info system, IoT Gateway for Smart Factory, Smart Building, Security and Surveillance,

Key Features

- 12th Generation Intel® Celeron® 7305E&Core™ i7-1265UE/i5-1245UE/i3-1215UE;
- 2x DDR5-4800MHz Non-ECC SO-DIMM max 64GB;
- M.2 M/B/E-Key with Nano SIM Card Slot;
- 2x LAN 2.5GbE;
- Fanless (Op. Temperature 0C ~ +50C);
- 4 Independent Displays: HDMI2.0b/1.4b + DP 1.4a (Alt mode USB Typ-C);



Form Factor	3.5" SBC Rackmount Enclosure: 195 x 44 x 150mm (7.68" x 1.73" x 5.94") Package: 300 x 130 x 279mm (11.81" x 5.12" x 11")
Processor	Single Single Socket FCBGA1744 Intel® Core™ i5-1245UE Up to 10C/20T; Up to 12MB Cache per CPU Supports up to 28W TDP CPUs (Air Cooled)
System Memory	Memory Capacity: 2 DIMM slots Up to 64GB: DDR5 SO-DIMM non ECC Memory Type: 4800MHz DDR5 SO-DIMM
Drive Bays	1x M-Key 2242 / 2280 (PCIe 4.0 x4 (Add Optional Kit MCP-270-10105-0B when selecting NVMe type storage)) 1x E-Key 2230 (PCIe 3.0 x1/USB 2.0/Intel CNVi) 1x B-Key 2242 / 2280 / 3042 (SATA 6Gb/s or PCIe 3.0 x1/USB 3.0/USB 2.0)
On-Board Devices	Chipset: intel System on Chip Network Connectivity: 2x 2.5GbE BaseT with Intel I225-IT
Input / Output	LAN: 2 RJ45 2.5 Gigabit Ethernet LAN port



System Cooling	Fans: N/A
Power Supply	84W Level power supply
System BIOS	BIOS Type: AMIUEFI AMIUEFI AMIUEFI AMIUEFI BIOS Features: PCI F/W 3.0
Dimensions and Weight	Height: 1.73" (44 mm) Width: 7.68" (195 mm) Depth: 5.94" (150 mm) Gross Weight: 4.3 lbs (1.95 kg) Net Weight: 2.16 lbs (0.98 kg) Packaging: 5.12" (H) x 11.81" (W) x 11" (D) Palletized Packing (W x H x L): 54.3" (1380 mm) x 78.5" (1993 mm) x 35" (890 mm) Available Color: Black
Operating Environment	Operating Temperature: 0°C ~ 50°C (32°F ~ 122°F) Non-operating Temperature: -40°C to 70°C (-40°F to 158°F) Operating Relative Humidity: 8% to 90% (non-condensing) Non-operating Relative Humidity: 5% to 95% (non-condensing)
Motherboard	Super X13SAN-E-WOHS
Chassis	CSE-E101-04