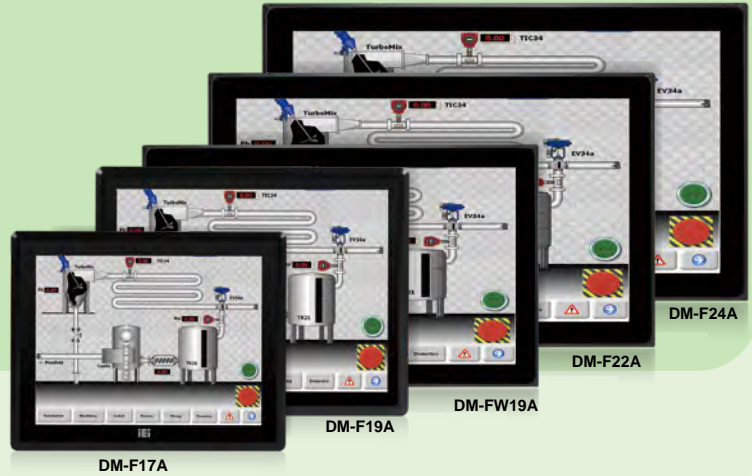


# Heavy Industrial Monitor

## 17"~23.8" DM-F IP65 Industrial Monitor

### Features

- Robust IP65 aluminum front bezel
- Aesthetic ultra-thin bezel for seamless panel mount installation
- Wide range 9V~36V DC input
- HDMI / DisplayPort / VGA flexible video input solution
- Projected capacitive multi-touch and resistive single touch options
- Wide temperature support



### Specifications

Model		DM-F17A	DM-FW19A	DM-F19A	DM-F22A	DM-F24A	
LCD	LCD Display	17" (5:4)	18.5" (16:9)	19" (5:4)	21.5" (16:9)	23.8" (16:9)	
	Max. Resolution	1280 (W) x 1024 (H)	1366 (W) x 768 (H)	1280 (W) x 1024 (H)	1920 (W) x 1080 (H)	1920 (W) x 1080 (H)	
	Brightness (cd/m <sup>2</sup> )	350	400	350	250	250	
	Contrast Ratio	1000 : 1	1000 : 1	1000 : 1	1000 : 1	3000 : 1	
	LCD Color	16.7M					
	Pixel Pitch (mm)	0.26 x 0.26	0.3 x 0.3	0.294 x 0.294	0.25 x 0.25	0.28 x 0.28	
	Viewing Angle (H-V)	170° / 160°			170° / 160°		178° / 178°
	Backlight MTBF (Hrs)	50000			30000	30000	
Touchscreen & Controller		5-wire resistive single touch window, 3H/Penmount 6000 (Anti-glare Surface) 10-point Projected capacitive touch window, 6H/EET1 EXC3188 (Anti-UV, Anti-glare Surface)			10-point Projected capacitive touch window, 6H/EET1 EXC3188 (Anti-UV, Anti-glare Surface)		
I/O Ports		1 x VGA (DB-15) 1 x DVI (F19A only) 1 x HDMI (F17A & FW19A only) 1 x DisplayPort 1.1 1 x USB 2.0 (touch) 1 x RS-232 (reserved for resistive touch ATO) 1 x Lockable 9V-36V DC jack 1 x 9V-36V terminal block			1 x VGA (DB-15) 1 x HDMI 1 x DisplayPort 1.1 1 x USB 2.0 (touch) 1 x RS-232 (reserved for resistive touch ATO) 1 x Lockable 9V-36V DC jack 1 x 9V-36V terminal block		
OSD	OSD Button	7-key membrane OSD keypad					
	Smart OSD Software	Smart OSD Software					
Physical	Construction Material	Aluminum front frame and sheet metal rear cover					
	Mounting	Panel Mount/ Rack Mount 100 x 100 VESA Mount			Panel Mount 100 x 100 VESA Mount	Panel Mount 100 x 100 VESA Mount	
	Enclosure Color	Black C					
	Dimensions (mm)	341.4 x 408.4 x 49.3	468.8 x 288.2 x 48.9	372.4 x 447.4 x 49.57	358.4 x 550.4 x 49.1	382 x 600 x 49.4	
	Cutout Dimensions (mm)	324 x 391	447.8 x 267.2	430 x 355	340 x 532	358.6 x 576.6	
	Weight (kg) Net/Gross	4.4 / 7.1	5 / 8.1	5.4 / 8.4	6.3 / 9.6	7.6 / 10.9	
Environment	Operating Temperature (with air flow)	-20°C ~ 60°C (with air flow)			-10°C ~ 50°C	-10°C ~ 50°C	
	Storage Temperature	-20°C ~ 70°C	-20°C ~ 70°C	-20°C ~ 70°C	-20°C ~ 60°C	-20°C ~ 60°C	
	Humidity	10% to 95% (non-condensing)					
	IP Level	IP 65 compliant front panel					
	Safety and EMC	CE & FCC certified					
Power input		9V~36V DC					
Power consumption		9V @ 2.6A 36V @ 0.6A	9V @ 1.33A 36V @ 0.35A	9V @ 3.3A 36V @ 0.8A	9V @ 2.5A 36V @ 0.6A	9V @ 3.4A 36V @ 0.8A	

## Ordering Information

Part No.	Description
DM-F65A/R-R20	6.5" 800 cd/m <sup>2</sup> high-luminance VGA LCD monitor with aluminum die casting front panel, black color, USB resistive touchscreen, R20
DM-F08A/R-R20	8" 500 cd/m <sup>2</sup> SVGA LCD monitor, Aluminum front panel, Black color, W/ USB resistive touch screen, 12V DC input, R20
DM-F12A/R-R30	12.1" 600 cd/m <sup>2</sup> XGA LCD monitor, Aluminum die casting front panel, Black color, W/ USB resistive touch screen, 9 ~36V DC input, R30
DM-F12A/PC-R30	12.1" 600 cd/m <sup>2</sup> XGA LCD monitor, Aluminum die casting front panel, Black color, W/ USB projected capacitive touch screen, 9 ~36V DC input, R30
DM-F15A/R-R40	15" 450 cd/m <sup>2</sup> XGA LCD monitor, Aluminum die casting front panel, Black color, W/ USB resistive touch screen, 9 ~36V DC input, R40
DM-F15A/PC-R40	15" 450 cd/m <sup>2</sup> XGA LCD monitor, Aluminum die casting front panel, Black color, W/ USB projected capacitive touch screen, 9 ~36V DC input, R40
DM-FW15A/PC-R20	15.6" 400 cd/m <sup>2</sup> 1366x768 LCD monitor, Aluminum front panel, Black color, W/ USB PCAP touch screen, 9 ~36V DC input, R20
DM-F17A/R-R30	17" 350 cd/m <sup>2</sup> SXGA LCD monitor, Aluminum die casting front panel, Black color, W/ USB resistive touch screen, 9 ~36V DC input, R30
DM-F17A/PC-R30	17" 350 cd/m <sup>2</sup> SXGA LCD monitor, Aluminum die casting front panel, Black color, W/ USB projected capacitive touch screen, 9 ~36V DC input, R30
DM-FW19A/PC-R20	18.5" 400 cd/m <sup>2</sup> 1366x768 LCD monitor, Aluminum front panel, Black color, W/ USB PCAP touch screen, 9 ~36V DC input, R20
DM-F19A/R-R30	19" 350 cd/m <sup>2</sup> SXGA LCD monitor, Aluminum die casting front panel, Black color, W/ USB resistive touch screen, 9 ~36V DC input, R30
DM-F19A/PC-R30	19" 350 cd/m <sup>2</sup> SXGA LCD monitor, Aluminum die casting front panel, Black color, W/ USB projected capacitive touch screen, 9 ~36V DC input, R30
DM-F22A/PC-R30	21.5" 250 cd/m <sup>2</sup> FHD LCD monitor, Aluminum die casting front panel, Black color, W/ USB projected capacitive touch screen, 9 ~36V DC input, R30
DM-F24A/PC-R40	23.8" 250 cd/m <sup>2</sup> FHD LCD monitor, Aluminum front panel, Black color, W/ USB projected capacitive touch screen, 9 ~36V DC input, R40

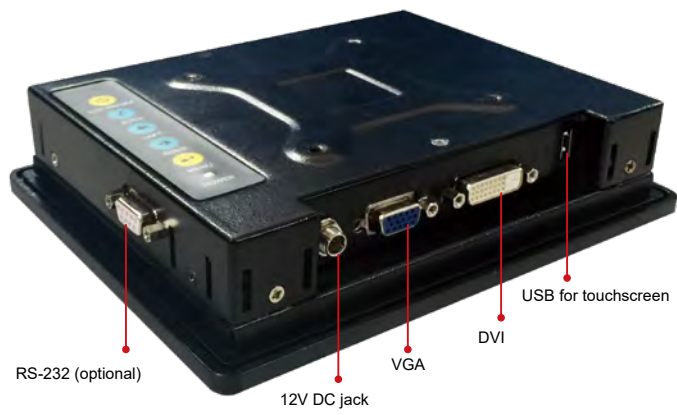
## Options

Item	DM-F65A	DM-F08A	DM-F12A	DM-F15A	DM-FW15A	DM-F17A	DM-F19A	DM-FW19A	DM-F22A	DM-F24A	
Arm	ARM-11-RS		ARM-11-RS	ARM-31-RS	ARM-31-RS	ARM-31-RS	ARM-31-RS	ARM-31-RS	ARM-31-RS	ARM-31-RS	
Stand	STAND-B08		STAND-C12-R10	STAND-C19-R10 STAND-A21-R10							
Wall Mount Kit	AFLWK-12		WK-190MS-R10								
Panel Mount Kit	FPK-07-R10		FPK-01-R10				FPK-02-R10		FPK-02-R10	FPK-03-R10	
Rack Mount Kit	FRK65-R10	FRK08-R10	FRK12-R10	FRK15-R10	FRKW15D-R10	FRK17-R10	FRK19D-R10	FRKW19D-R10	N/A		
Cable Cover	N/A		N/A	DM-F-CC01-R10	N/A	DM-F-CC01-R10	DM-F-CC02-R10	N/A	DM-F-CC02-R10		
RS-232 Touch Cable Kit	DM-F-COMKIT-R10		DM-F-COMKIT-R10	DM-F-COMKIT-R10	N/A	DM-F-COMKIT-R10	DM-F-COMKIT01-R10	N/A	N/A		
Power Adapter	N/A		63040-010060-211-RS								

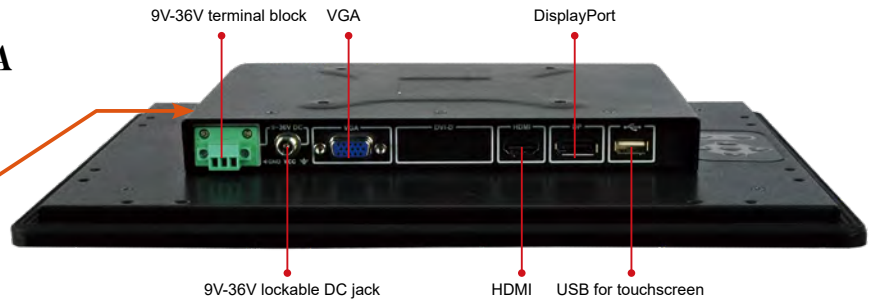
## Packing List

Item	P/N	Q'ty	Remark
USB Cable	32001-006100-100-RS	1	For touchscreen
VGA Cable	32000-036200-RS	1	
Power Adapter	63040-010036-210-RS (for DM-F65/08A)		

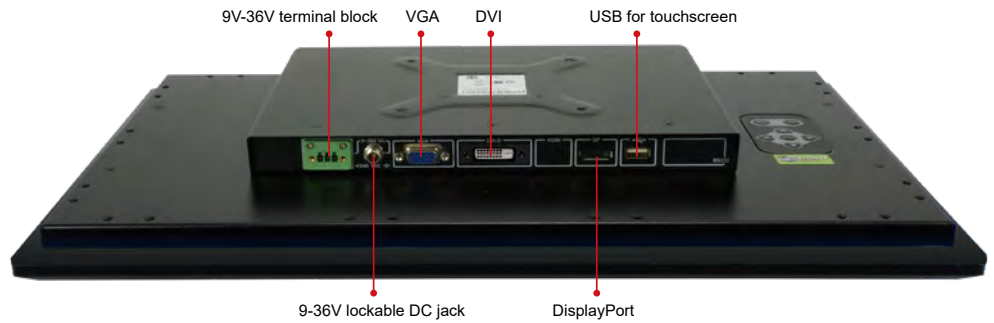
**DM-F65A/08A**  
Fully Integrated I/O



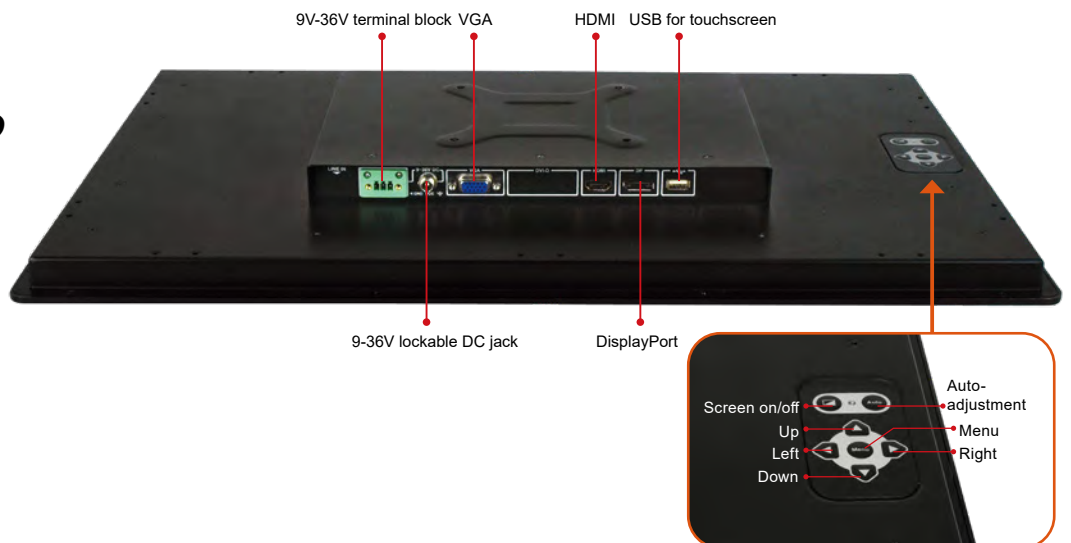
**DM-F12A/F15A/FW15A/F17A**  
Fully Integrated I/O



**DM-F19A**  
Fully Integrated I/O



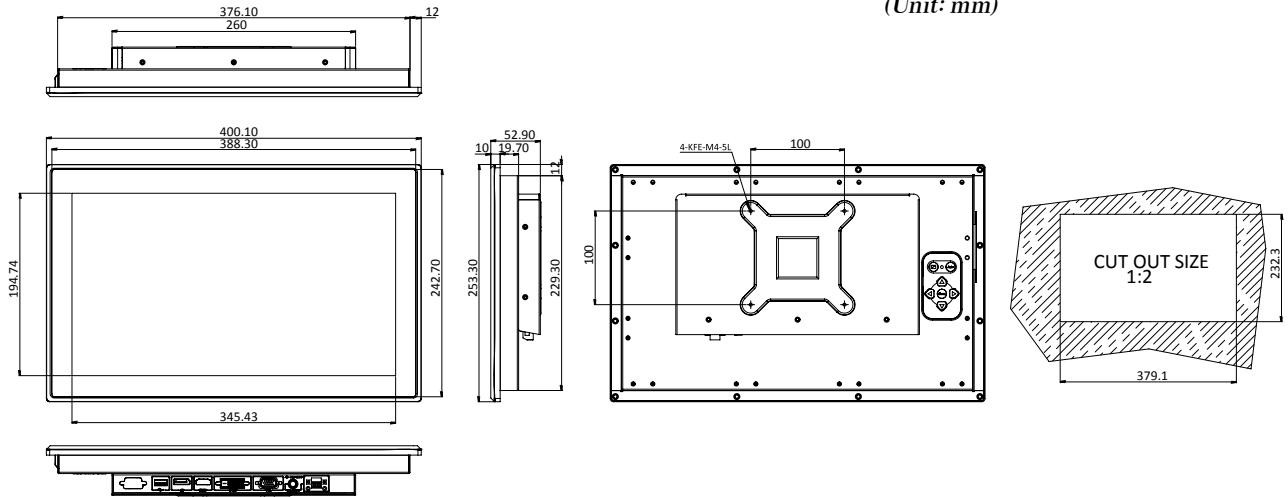
**DM-F22A/F24A**  
Fully Integrated I/O





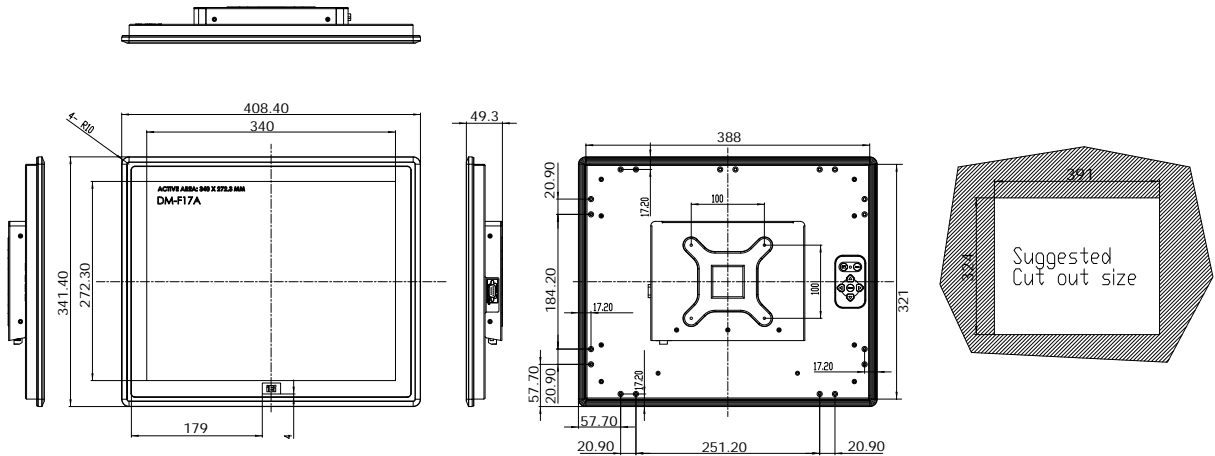
## DM-FW15A Dimensions

(Unit: mm)



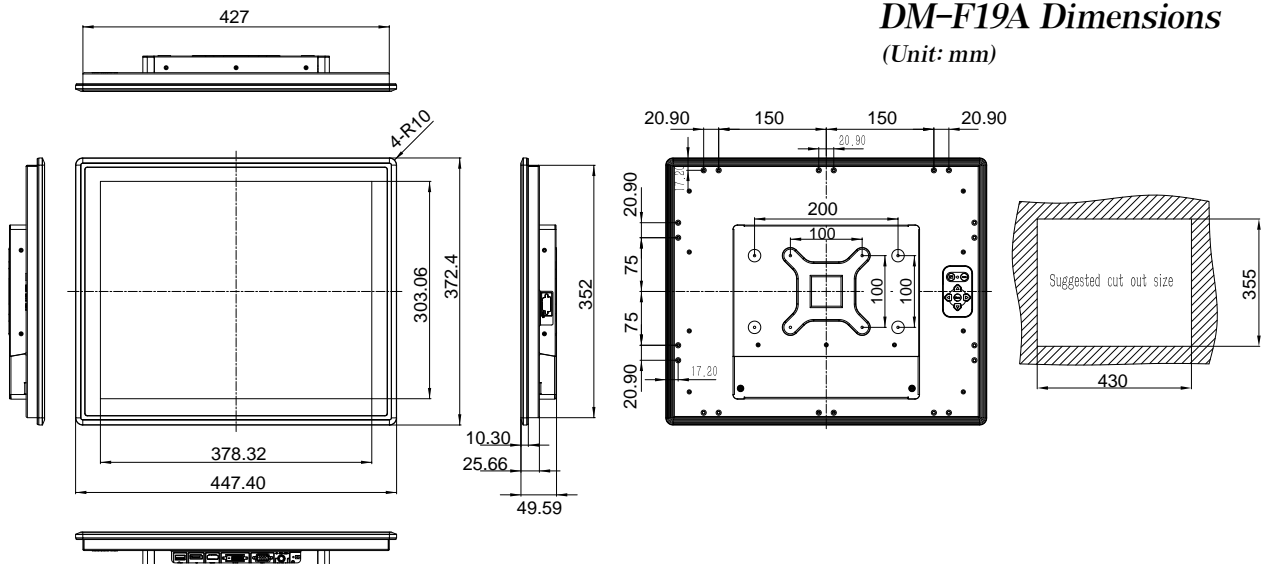
## DM-F17A Dimensions

(Unit: mm)

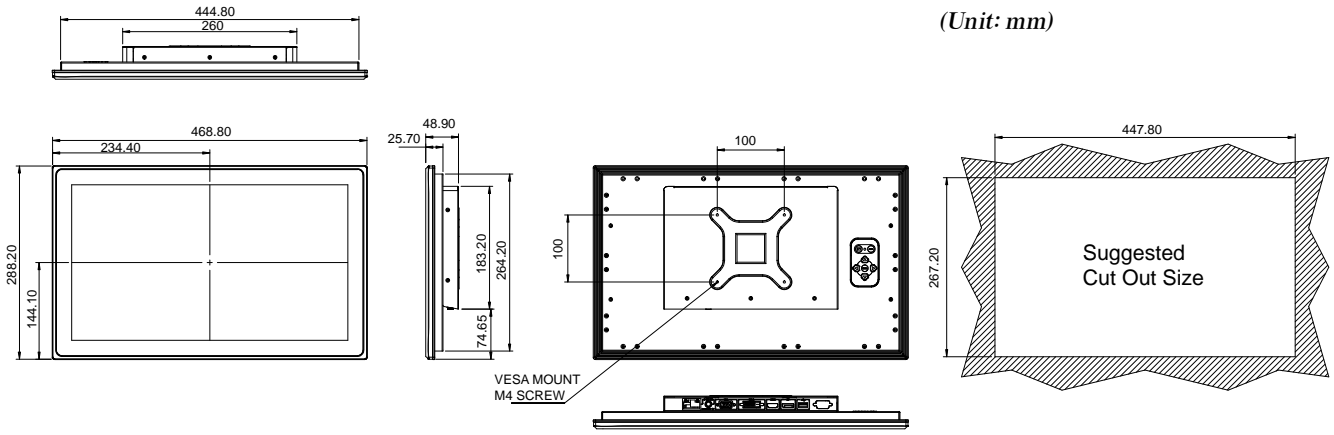


## DM-F19A Dimensions

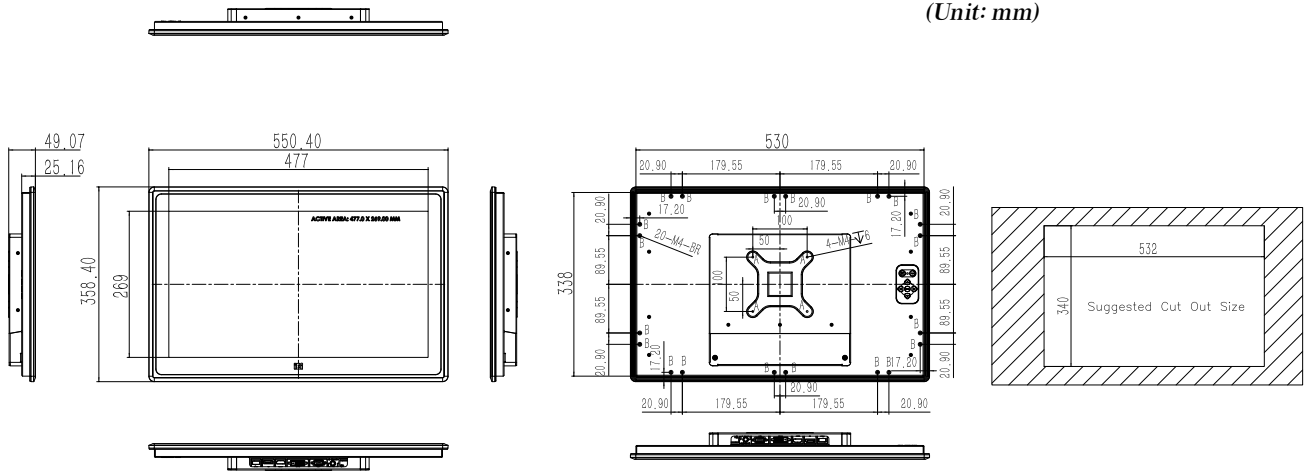
(Unit: mm)



## DM-FW19A Dimensions (Unit: mm)



## DM-F22A Dimensions (Unit: mm)



## DM-F24A Dimensions (Unit: mm)

