

IGS-R9812GP



IGS-R9812GP

Industrial Layer-3 20-port managed Gigabit Ethernet switch with 8x10/100/1000Base-T(X) ports and 12x100/1000Base-X, SFP socket

Features

- Supports Layer 3 routing, RIP and static routing function
- Supports **O-Ring** (recovery time < 30ms over 250 units of connection) and MSTP(RSTP/STP compatible) for Ethernet Redundancy
- **O-Chain** allow multiple redundant network rings
- Supports standard IEC 62439-2 **MRP*NOTE** (Media Redundancy Protocol) function
- Supports IEEE 1588v2 clock synchronization
- Supports IPV6 new internet protocol version
- Supports Modbus TCP protocol
- Supports IEEE 802.3az **Energy-Efficient Ethernet** technology
- Provided HTTPS/SSH protocol to enhance network security
- Supports SMTP client and NTP server protocol
- Supports IP-based bandwidth management
- Supports application-based QoS management
- Supports Device Binding security function
- Supports DOS/DDOS auto prevention
- IGMP v2/v3 (IGMP snooping support) for filtering multicast traffic
- Supports SNMP v1/v2c/v3 & RMON & 802.1Q VLAN Network Management
- Supports ACL, TACACS+ and 802.1x User Authentication for security
- Supports 9.6K Bytes Jumbo Frame
- Supports **backup unit device DBU-01** for quickly backup/restore configuration
- Multiple notification for warning of unexpected event
- Web-based ,Telnet, Console (CLI), and Windows utility (Open-Vision) configuration
- Supports LLDP Protocol
- Rigid IP-30 housing design
- DIN-Rail and wall mounting enabled



Introduction

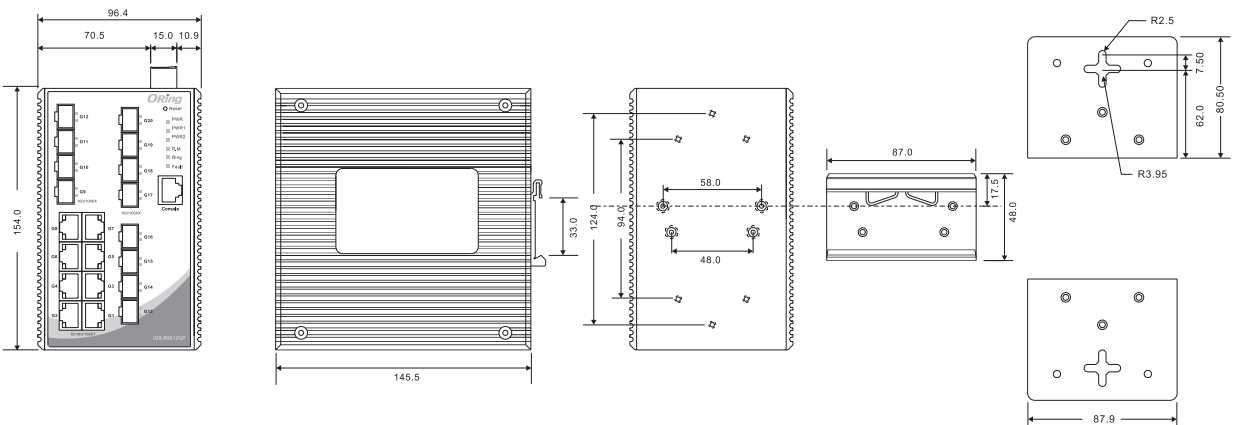
IGS-R9812GP is Layer-3 managed redundant ring Ethernet switch with 8x10/100/1000Base-T(X) ports and 12x100/1000Base-X SFP ports. The IGS-R9812GP supports Layer-3 routing for better network performance on large-scale LANs into multiple subnets to support long-haul and EMI immunity communications. The hardware Layer-3 switch is optimized to transmit data as fast as Layer-2 switches. With completely support of Ethernet Redundancy protocol, O-Ring (recovery time < 30ms over 250 units of connection) and MSTP (RSTP/STP compatible) can protect your mission-critical applications from network interruptions or temporary malfunctions with its fast recovery technology. And support wide operating temperature from -40 to 75 °C. IGS-R9812GP can also be managed centralized and convenient by Open-Vision, as well as the Web-based interface, Telnet and console (CLI) configuration. Therefore, the switch is one of the most reliable choice for highly-managed and Fiber Ethernet power substation and rolling stock application.

- **O-Ring** : O-Ring is ORing's proprietary redundant ring technology, with recovery time of less 30 milliseconds and up to 250 nodes. The O-Ring redundant ring technology can protect mission-critical application from network interruptions or temporary malfunction with its fast recover technology.

*NOTE: This function is available by request only

- **Open-Ring** : Open-Ring is an enhanced redundant technology that makes ORing's switches compatible with other vendor's proprietary redundant ring technologies. It enables ORing's switches to form a single ring with other vendor's switch. In cases where the ring is setup using proprietary technology, ORing offers a compatibility service where ORing can make its switches compatible with your particular network requirements.
- **O-Chain** : O-Chain is the revolutionary network redundancy technology that provides the add-on network redundancy topology for any backbone network, O-Chain allows multiple redundant network rings of different redundancy protocols to join and function together as a larger and more robust compound network topology. O-Chain providing ease-of-use while maximizing fault-recovery swiftness, flexibility, compatibility, and cost-effectiveness in one set of network redundancy topology.
- **MRP*NOTE** : Media Redundancy Protocol (MRP) is a data network protocol standardized by the IEC 62439-2. It allows rings of Ethernet switches to overcome any single failure with recovery time much faster than achievable with Spanning Tree Protocol.
- **IP-based Bandwidth Management** : The switch provide advanced IP-based bandwidth management which can limit the maximum bandwidth for each IP device. User can configure IP camera and NVR with more bandwidth and limit other device bandwidth.
- **Application-Based QoS** : The switch also support application-based QoS. Application-based QoS can set highest priority for data stream according to TCP/UDP port number.
- **Device Binding Function** : ORing special Device Binding function can only permit allowed IP address with MAC address to access the network. Hacker cannot access the IP surveillance network without permission. It can avoid hacker from stealing video privacy data and attacking IP camera, NVR and controllers.
- **Advanced DOS/DDOS Auto Prevention** : The switch also provided advanced DOS/DDOS auto prevention. If there is any IP flow become big in short time, the switch will lock the source IP address for certain time to prevent the attack. It's hardware based prevention so it can prevent DOS/DDOS attack immediately and completely.
- **IEEE 1588v2 Technology** : The IEEE 1588v2 technology can fulfill precision time synchronization requirements for protection and control applications.
- **Modbus TCP** : This is a Modbus variant used for communications over TCP/IP networks.
- **IEEE 802.3az Energy-Efficient Ethernet** : This is a set of enhancements to the twisted-pair and backplane Ethernet family of networking standards that will allow for less power consumption during periods of low data activity. The intention was to reduce power consumption by 50% or more.

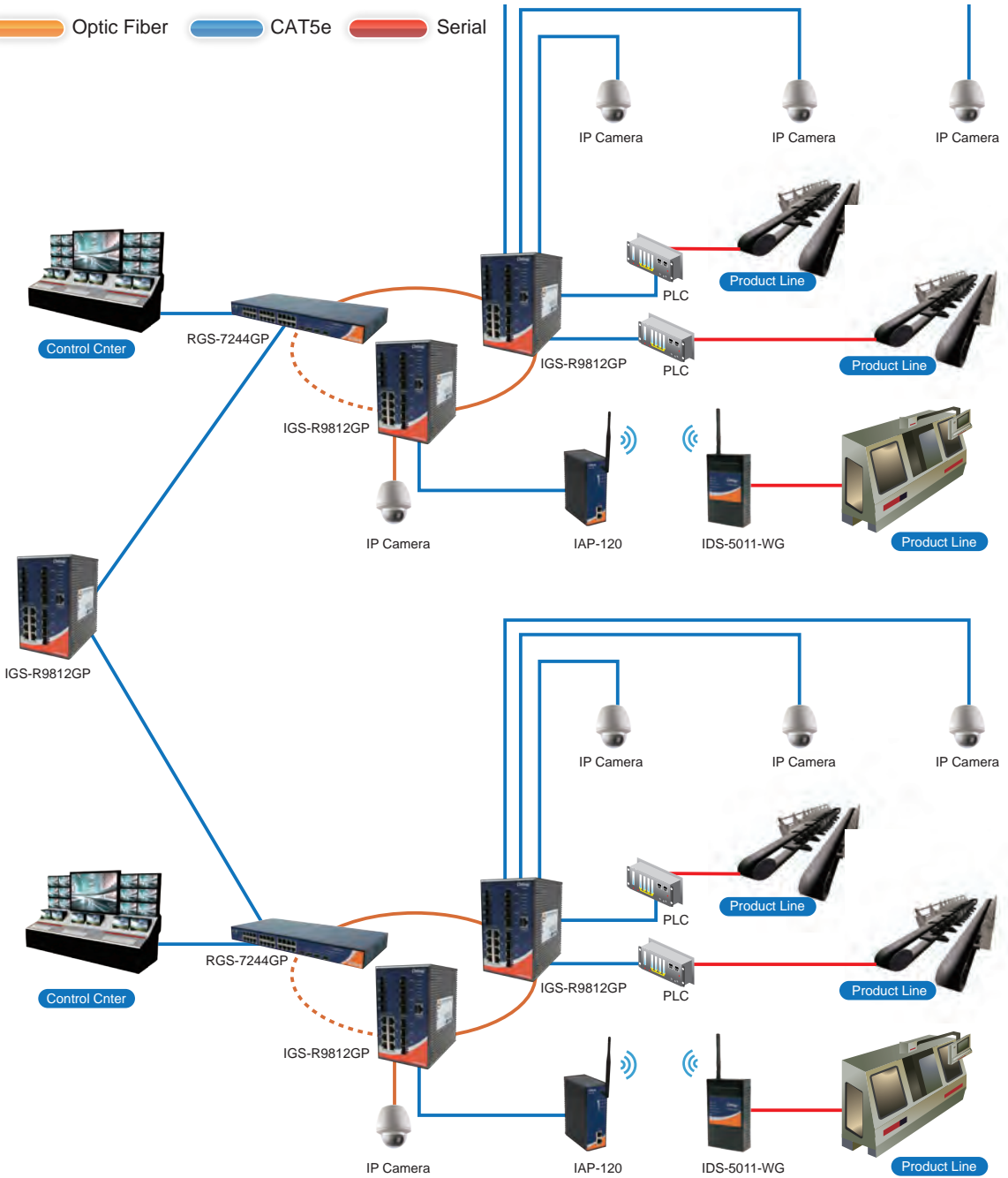
Dimensions



(Unit=mm)

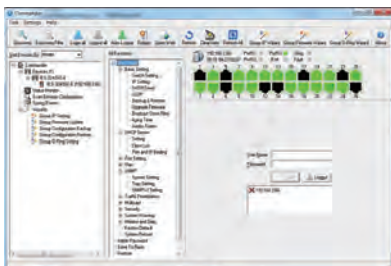
*NOTE: This function is available by request only

Optic Fiber
 CAT5e
 Serial



Open-Vision

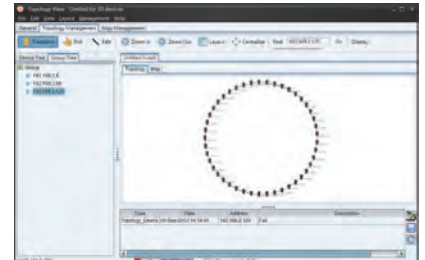
ORing's switches are intelligent switches. Different from other traditional redundant switches, ORing provides a set of Windows utility (Open-Vision) for user to manage and monitor all of industrial Ethernet switches on the industrial network.



Commander

Host	Name	Description	Subnet	Action Time	Distance	Last Test Time
101	101.910.1.1		101.910.1.0		1	2010/05/10 14:00:10
102	101.910.2.1		101.910.2.0		1	2010/05/10 14:00:10
103	101.910.3.1		101.910.3.0		1	2010/05/10 14:00:10
104	101.910.4.1		101.910.4.0		1	2010/05/10 14:00:10
105	101.910.5.1		101.910.5.0		1	2010/05/10 14:00:10
106	101.910.6.1		101.910.6.0		1	2010/05/10 14:00:10
107	101.910.7.1		101.910.7.0		1	2010/05/10 14:00:10
108	101.910.8.1		101.910.8.0		1	2010/05/10 14:00:10
109	101.910.9.1		101.910.9.0		1	2010/05/10 14:00:10
110	101.910.10.1		101.910.10.0		1	2010/05/10 14:00:10
111	101.910.11.1		101.910.11.0		1	2010/05/10 14:00:10
112	101.910.12.1		101.910.12.0		1	2010/05/10 14:00:10
113	101.910.13.1		101.910.13.0		1	2010/05/10 14:00:10
114	101.910.14.1		101.910.14.0		1	2010/05/10 14:00:10
115	101.910.15.1		101.910.15.0		1	2010/05/10 14:00:10
116	101.910.16.1		101.910.16.0		1	2010/05/10 14:00:10
117	101.910.17.1		101.910.17.0		1	2010/05/10 14:00:10
118	101.910.18.1		101.910.18.0		1	2010/05/10 14:00:10
119	101.910.19.1		101.910.19.0		1	2010/05/10 14:00:10
120	101.910.20.1		101.910.20.0		1	2010/05/10 14:00:10
121	101.910.21.1		101.910.21.0		1	2010/05/10 14:00:10
122	101.910.22.1		101.910.22.0		1	2010/05/10 14:00:10
123	101.910.23.1		101.910.23.0		1	2010/05/10 14:00:10
124	101.910.24.1		101.910.24.0		1	2010/05/10 14:00:10
125	101.910.25.1		101.910.25.0		1	2010/05/10 14:00:10
126	101.910.26.1		101.910.26.0		1	2010/05/10 14:00:10
127	101.910.27.1		101.910.27.0		1	2010/05/10 14:00:10
128	101.910.28.1		101.910.28.0		1	2010/05/10 14:00:10
129	101.910.29.1		101.910.29.0		1	2010/05/10 14:00:10
130	101.910.30.1		101.910.30.0		1	2010/05/10 14:00:10

Host Monitor



Topology View

Specifications

ORing Switch Model	IGS-R9812GP
Physical Ports	
10/100/1000Base-T(X) Ports in RJ45 Auto MDI/MDIX	8
100/1000Base-X with SFP port	12
Technology	
Ethernet Standards	IEEE 802.3 for 10Base-T IEEE 802.3u for 100Base-TX and 100Base-FX IEEE 802.3ab for 1000Base-T IEEE 802.z for 1000Base-X IEEE 802.3x for Flow control IEEE 802.3ad for LACP (Link Aggregation Control Protocol) IEEE 802.1p for COS (Class of Service) IEEE 802.1Q for VLAN Tagging IEEE 802.1w for RSTP (Rapid Spanning Tree Protocol) IEEE 802.1s for MSTP (Multiple Spanning Tree Protocol) IEEE 802.1x for Authentication IEEE 802.1AB for LLDP (Link Layer Discovery Protocol)
MAC Table	8K
Packet Buffer	32Mbits
Flash Memory	28Mbits
DRAM Size	1Gbits
Priority Queues	8
Processing	Store-and-Forward
Switch Properties	Switching latency: 7 us Switching bandwidth: 40Gbps Max. Number of Available VLANs: 4095 VLAN ID Range : 1 to 4094 IGMP multicast groups: 128 for each VLAN Port rate limiting: User Define
Jumbo frame	Up to 9.6K Bytes
Security Features	Device Binding security feature Enable/disable ports, MAC based port security Port based network access control (802.1x) Single 802.1x and Multiple 802.1x MAC-based authentication QoS assignment Guest VLAN MAC address limit TACACS+ VLAN (802.1Q) to segregate and secure network traffic Radius centralized password management SNMPv3 encrypted authentication and access security Web and CLI authentication and authorization Authorization (15 levels) IP source guard Https / SSH enhance network security
Software Features	Hardware routing, RIP and static routing IEEE 1588v2 clock synchronization IEEE 802.1D Bridge, auto MAC address learning/aging and MAC address (static) Multiple Registration Protocol (MRP) RSTP/MSTP (IEEE 802.1w/s) Redundant Ring (O-Ring) with recovery time less than 30ms over 250 units TOS/Diffserv supported Quality of Service (802.1p) for real-time traffic VLAN (802.1Q) with VLAN tagging Voice VLAN IGMP v2/v3 Snooping IP-based bandwidth management Application-based QoS management DOS/DDOS auto prevention Port configuration, status, statistics, monitoring, security DHCP Server/Client/snooping DHCP Relay Modbus TCP ARP inspection SMTP Client NTP Server

Network Redundancy	O-Ring O-Chain MRP* NOTE Fast Recovery MSTP (RSTP/STP compatible)
RS-232 Serial Console Port	RS-232 in RJ45 connector with console cable. 115200bps, 8, N, 1
LED Indicators	
Power Indicator(PWR)	Green : Power LED x 3
Ring Master Indicator (R.M.)	Green : Indicates that the system is operating in O-Ring Master mode
O-Ring Indicator (Ring)	Green : Indicates that the system operating in O-Ring mode Green Blinking : Indicates that the Ring is broken.
Fault Indicator(Fault)	Amber : Indicate unexpected event occurred
10/100/1000Base-T(X) RJ45 Port Indicator	Green for Link/Act indicator Dual color LED for speed indicator : Green for 1000Mbps, Amber for 100Mbps, Off-light for 10Mbps
100/1000Base-X SFP port Indicator	Green for port Link/Act.
Fault Contact	
Relay	Relay output to carry capacity of 1A at 24VDC
Power	
Redundant Input Power	Dual DC inputs. 12~48 VDC on 6-pin terminal block
Power Consumption (Typ.)	23 Watts
Overload Current Protection	Present
Reverse Polarity Protection	Present
Physical Characteristics	
Enclosure	IP-30
Dimensions (W x D x H)	96.4 x 145.5 x 154 mm (3.8 x 5.73 x 6.06 inch)
Weight (g)	1520 g
Environmental	
Storage Temperature	-40 to 85°C (-40 to 185°F)
Operating Temperature	-40 to 75°C (-40 to 167°F)
Operating Humidity	5% to 95% Non-condensing
Regulatory Approvals	
EMI	FCC Part 15, CISPR (EN55022) class A
EMS	EN61000-4-2 (ESD), EN61000-4-3 (RS), EN61000-4-4 (EFT), EN61000-4-5 (Surge), EN61000-4-6 (CS), EN61000-4-8, EN61000-4-11
Shock	IEC60068-2-27
Free Fall	IEC60068-2-31
Vibration	IEC60068-2-6
Safety	EN60950-1
Warranty	5years

*NOTE: This function is available by request only

Ordering Information

IGS-R9 **A** **BB** **CC**

Code Definition	10/100/1000Base-T(X) Port Number	100/1000Base-(F)X SFP Port Number	Additional Port Type
Option	- 08 : 8 ports	- 12 : 12 ports	- GP : Gigabit SFP ports

Available Model	Model Name	Description
	IGS-R9812GP	Industrial Layer-3 20-port managed Gigabit Ethernet switch with 8x10/100/1000Base-T(X) and 12x100/1000Base-X, SFP socket

Packing List

- IGS-R9812GP
- DIN-Rail Kit
- Wall-mount Kit
- Console Cable
- ORing Tool CD
- Quick Installation Guide

Optional Accessories (Can be purchased separately)

- Open-Vision M500, Powerful Network Management Windows Utility Suite, 500 IP devices
- SFP100 series, 100Mbps SFP optical transceiver
- SFP1G series, 1Gbps SFP optical transceiver
- DR-45 series, 45W DIN-Rail power supply
- DR-75 series, 75W DIN-Rail power supply
- DR-120 series, 120W DIN-Rail power supply