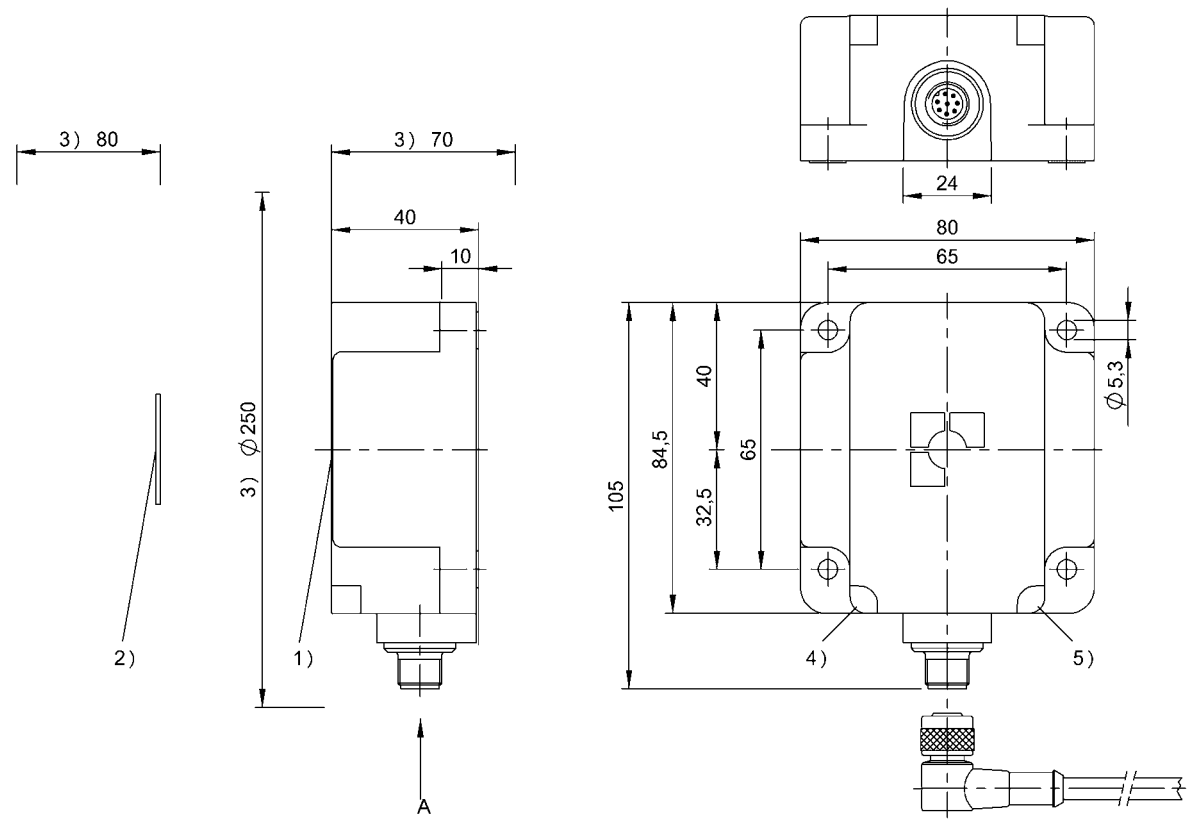


HF (13.56 MHz)
 BIS M-401-007-001-00-S115
 Order Code: BIS00EM

BALLUFF



- 1) Sensing surface
- 2) Data carrier
- 3) Clear zone
- 4) LED (Power)
- 5) LED (TP)



Basic features

Antenna type	round
Approval/Conformity	CE FCC Part 15 IC RSS-210 cULus EAC WEEE
Principle of operation	Read/write device

Display/Operation

Function indicator	LED yellow TP (Tag Present) Green LED Power (ON)
---------------------------	---

Electrical connection

Connection	(RS232/TP OUT): M12x1-Male, 8-pin
-------------------	--------------------------------------

Electrical data

Current consumption max. at 24 V DC	50 mA
EN 300330-1	Power Class 5
Operating voltage U_b	19.2...26.4 VDC
Output current max.	200 mA
Residual ripple max.	included

HF (13.56 MHz)
BIS M-401-007-001-00-S115
Order Code: BIS00EM

BALLUFF

Environmental conditions

Ambient temperature	0...70 °C
Continuous shock load	yes
EN 60068-2-27, Shock	yes
EN 60068-2-32 Free fall	yes
EN 60068-2-6, Vibration	yes
IP rating	IP67
Storage temperature	-20...85 °C

Functional Characteristics

Supported data carrier types	DIN ISO 14443 DIN ISO 15693
------------------------------	--------------------------------------

Functional safety

MTTF (40 °C)	191 a
--------------	-------

Material

Housing material	PBT
------------------	-----

Mechanical data

Application weight	190.00 g
Dimension	80 x 40 x 84.5 mm
Installation	metal-free (clear zone)

Output/Interface

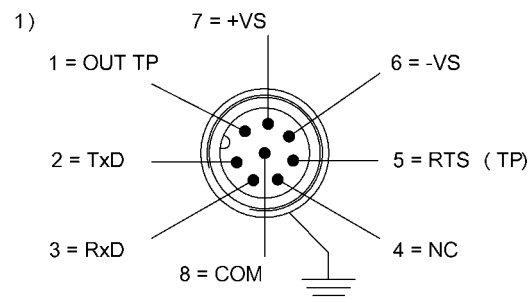
Interface	RS232
Output TP	PNP

Remarks

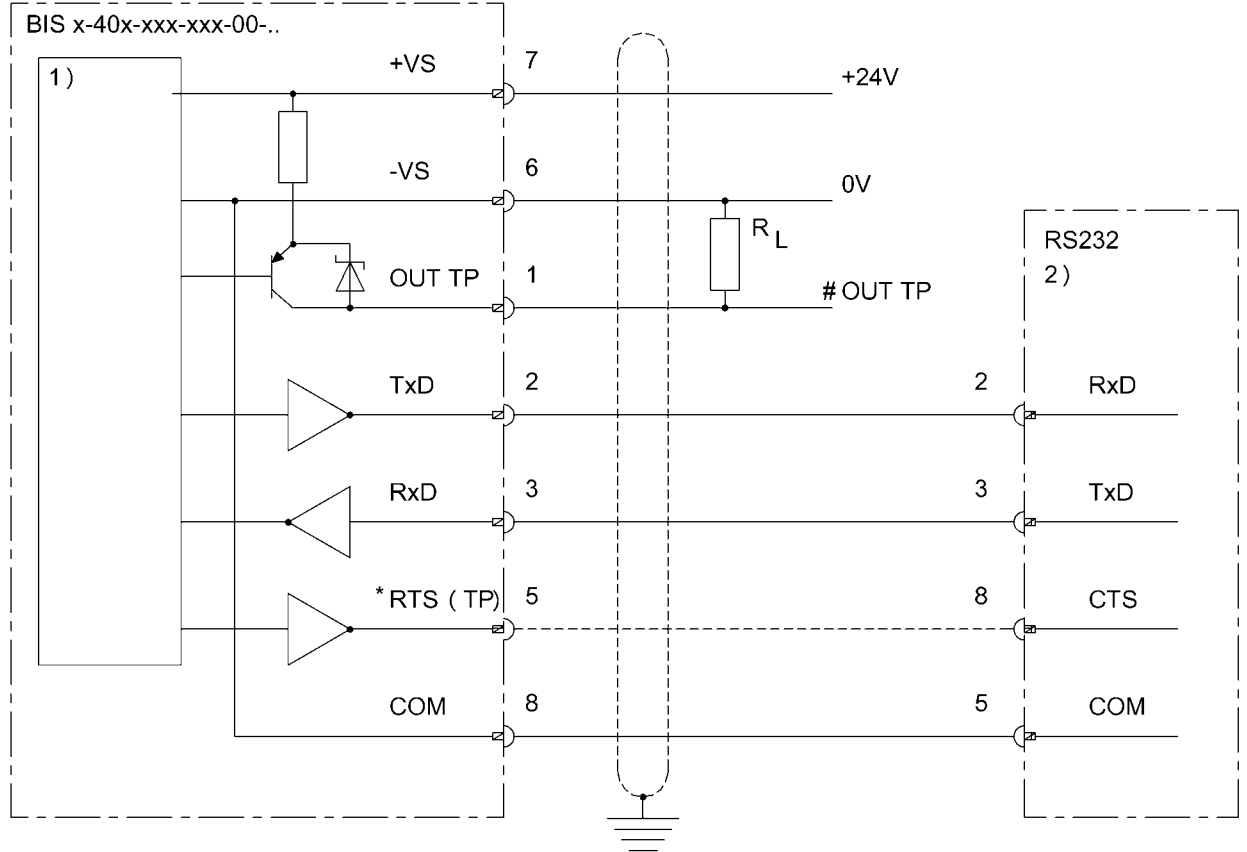
For installation in metal: Observe clear zone.
 Values are under rated conditions unless otherwise specified.
 # OUT TP switches to +24V when there is a data carrier in the zone.
 * Connection RTS (TP) enables TP display in program BISCOBRW.EXE.
 For basic equipment order female with cable.
 Order code for female with 5m cable: BKS-S116-PU-05
 For more information about MTTF and B10d see MTTF / B10d Certificate

Indication of the MTTF- / B10d value does not represent a binding composition and/or life expectancy assurance; these are simply experiential values with no warranty implications. These declared values also do not extend the expiration period for defect claims or affect it in any way.

Connector Drawings



Wiring Diagrams

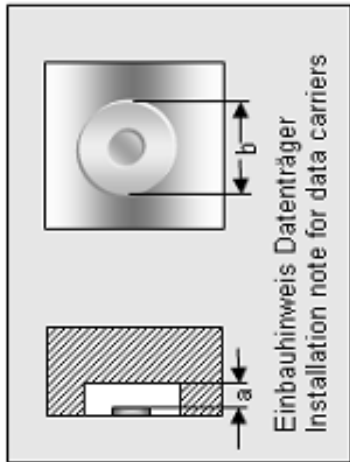


1) Internal circuit
 2) 9-pin connection

Help Views

BIS M-401-__

	BIS M-101-01/L	BIS M-102-01/L	BIS M-120-01/L	BIS M-108-02/L	BIS M-110-02/L
passende Datenträger Appropriate data carriers					
Abstand Datenträger zu Metall in mm (a) Data carrier distance to metal in mm	>50 >25 >10	>50 >25 >10	>80	>50 >20	>50 >30
Freizone Datenträger in mm (b) Data carrier clear zone in mm	>200 >150 >150	>200 >150 >150	>250	>200 >60	>200 >100
Schreibabstand in mm Write distance in mm	0-28 0-25 0-20	0-45 0-40 0-34	0-50	0-40 0-18	0-30 0-18
Leseabstand in mm Read distance in mm	0-28 0-25 0-20	0-45 0-40 0-34	0-50	0-40 0-18	0-30 0-18
Versatz in mm bei Abstand von	±22 ±18 ±12	±30 ±24 ±16	±30	±30 ±16	±25 ±18
	±22 ±18 ±12	±30 ±24 ±16	±30	±30 ±16	±25 ±18
	±22 ±18 ±10	±30 ±24 ±16	±30	±30 ±16	±25 ±15
	±22 ±16 ±8	±30 ±24 ±14	±30	±25 ±16	±20 ±15
	±22 ±16 ±8	±30 ±24 ±14	±30	±25 ±16	±20 ±12
	±20 ±15 ±6	±30 ±20 ±12	±30	±25 ±16	±20 ±12
	±20 ±13 ±4	±30 ±20 ±10	±30	±25 ±14	±20 ±8
	±20 ±12 ±2	±30 ±20 ±10	±30	±25	±20
	±16 ±8	±24 ±18 ±8	±30	±20	±15
	±12 ±4	±24 ±18 ±8	±30	±20	±15
		±24 ±15 ±6	±28	±20	±10
		±20 ±12 ±4	±24	±15	±10
		±20 ±10	±22	±15	
		±15 ±5	±18	±15	
		±8	±14		
		±5	±12		
			±4		



HF (13.56 MHz)

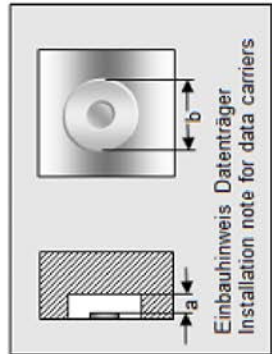
BIS M-401-007-001-00-S115

Order Code: BIS00EM

BALLUFF

BIS M-401-__

	BIS M-111-02/L	BIS M112-02/L	BIS M-140-02/A	BIS M-143-02/A-xx
passende Datenträger Appropriate data carriers				
Abstand Datenträger zu Metall in mm (a) Data carrier distance to metal in mm	>50 >30	>50 >30	>0	>0
Freizone Datenträger in mm (b) Data carrier clear zone in mm	>200 >100	>200 >100	>100	>100
Schreibabstand in mm Write distance in mm	0-40 0-25	0-60 0-35	0-32	0-16
Leseabstand in mm Read distance in mm	0-40 0-25	0-60 0-35	0-32	0-16
Versatz in mm bei Abstand von at distance	0 ±30 ±20 5 ±30 ±20 9 ±30 ±20 12 ±25 ±20 15 ±25 ±18 16 ±25 ±18 18 ±25 ±16 20 ±25 ±14 22 ±20 ±12 25 ±20 ±10 30 ±20 32 ±15 35 ±15 40 ±15	±35 ±25 ±35 ±25 ±35 ±25 ±35 ±25 ±35 ±25 ±35 ±25 ±35 ±25 ±35 ±25 ±35 ±22 ±35 ±22 ±35 ±22 ±35 ±20 ±35	±25 ±25 ±25 ±25 ±25 ±25 ±25 ±25 ±20 ±15 ±15	±24 ±24 ±20 ±14 ±4 ±4
	43	±25		
	45	±25		
	50	±25		
	52	±25		
	60	±25		
	65			
	70			



HF (13.56 MHz)

BIS M-401-007-001-00-S115

Order Code: BIS00EM

BALLUFF

BIS M-401-__

	BIS M-132-03/L- HT	BIS M135-03/L- HT			
passende Datenträger Appropriate data carriers					
Abstand Datenträger zu Metall in mm (a) Data carrier distance to metal in mm	>50	>50			
Freizone Datenträger in mm (b) Data carrier clear zone in mm	>200	>200			
Schreibabstand in mm Write distance in mm	0-50	0-75			
Leseabstand in mm Read distance in mm	0-50	0-75			
Versatz in mm bei Abstand von	0 ±30 5 ±30 10 ±30 15 ±30 20 ±30 25 ±28 30 ±28 35 ±28 40 ±28 45 ±10 50 ±10 55 60 65 70 75 80 85 90 95 100				
Offset in mm at distance					

