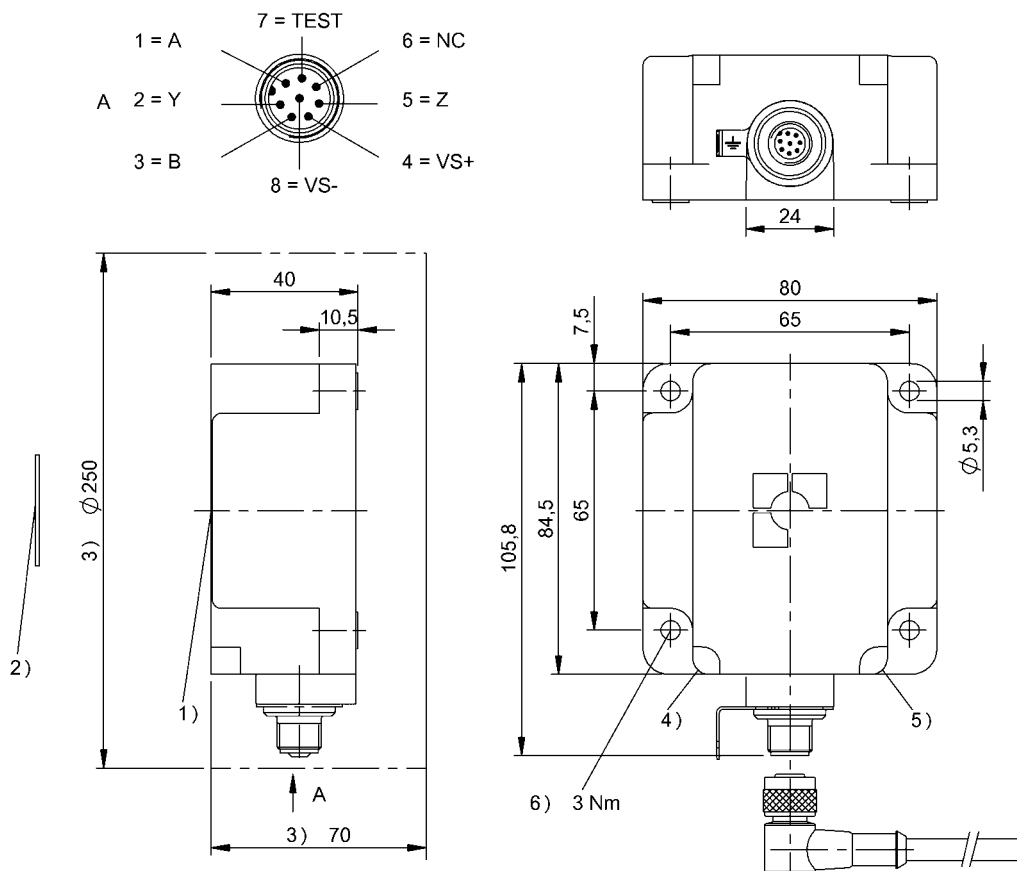


HF (13.56 MHz)  
**BIS M-341-003-S115**  
 Order Code: BIS00R3

# BALLUFF



- 1) Sensing surface
- 2) Data carrier
- 3) Clear zone
- 4) LED (Power)
- 5) LED (TP)



### Basic features

Antenna type	round
Approval/Conformity	CE FCC Part 15 IC RSS-210 cULus EAC WEEE
Principle of operation	Read/write head

### Display/Operation

Function indicator	Power (ON) Green LED TP (Tag Present) LED yellow
--------------------	---

### Electrical connection

Connection	Male, 8-pin
------------	-------------

### Electrical data

EN 300330-1	Power Class 5
-------------	---------------

### Environmental conditions

Ambient temperature	0...70 °C
Continuous shock load	yes
EN 60068-2-27, Shock	yes
EN 60068-2-32 Free fall	yes
EN 60068-2-6, Vibration	yes
IP rating	IP67
Storage temperature	-20...85 °C

HF (13.56 MHz)  
**BIS M-341-003-S115**  
Order Code: BIS00R3

**BALLUFF**

#### Material

---

Housing material PBT

#### Mechanical data

---

Application weight	360.00 g
Dimension	80 x 40 x 84.5 mm
Installation	metal-free (clear zone)

#### Remarks

---

For basic equipment: Accessories see [www.balluff.com](http://www.balluff.com)  
Values are under rated conditions unless otherwise specified.  
For installation in metal: Observe clear zone.  
Only together with BIS M-407-039-xx  
Only for data carriers acc. to ISO 15693.

Help Views

HF (13.56 MHz)

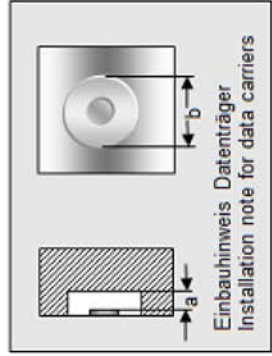
BIS M-341-003-S115

Order Code: BIS00R3

**BALLUFF**

**BIS M-341-\_\_\_**

passende Datenträger Appropriate data carriers	BIS M-112-02/L	BIS M-108-02/L		
Abstand Datenträger zu Metall in mm ( <b>a</b> ) Data carrier distance to metal in mm	>50	>50	>50	>50
Freizone Datenträger in mm ( <b>b</b> ) Data carrier clear zone in mm	>200	>200	>200	>200
Schreibabstand in mm Write distance in mm	35-90	20-60	0-50	
Lesebestand in mm Read distance in mm	35-90	20-60	0-50	
Versatz in mm bei Abstand von				
	0	±30	±30	
	5	±30	±30	
	9	±30	±30	
	12	±30	±30	
	15	±30	±30	
	16	±30	±30	
	18	±30	±30	
	20	±35	±30	
	22	±35	±30	
	25	±35	±30	
	30	±35	±30	
	35	±30	±20	
	40	±30	±20	
	45	±55	±20	
	50	±55	±20	
	60	±55	±20	
	70	±40	±30	
	80	±40	±30	
	90	±20	±30	



HF (13.56 MHz)

BIS M-341-003-S115

Order Code: BIS00R3

**BALLUFF**

**BIS M-341-\_\_\_**

	BIS M-140-02/A- XX	BIS M-142-02/A- XX	BIS M-143-02/A- XX	BIS M-144-02/A- XX
passende Datenträger Appropriate data carriers				
Abstand Datenträger zu Metall in mm ( <b>a</b> ) Data carrier distance to metal in mm	>0	>0	>0	>0
Freizone Datenträger in mm ( <b>b</b> ) Data carrier clear zone in mm	>100	>100	>100	>100
Schreibabstand in mm Write distance in mm	0-46	0-46	0-23	0-46
Lesabstand in mm Read distance in mm	0-46	0-46	0-23	0-46
Versatz in mm bei Abstand von	0 ±33	±33	±25	±33
	5 ±33	±33	±25	±33
	10 ±33	±33	±25	±33
	12 ±33	±33	±20	±33
	16 ±33	±33	±20	±33
	20 ±30	±30	±20	±30
	23 ±30	±30	±10	±30
	25 ±30	±30		±30
	30 ±30	±30		±30
	35 ±24	±24		±24
	40 ±24	±24		±24
	46 ±8	±8		±8
	50			
	55			
	60			
	65			
	70			
	80			
	90			

