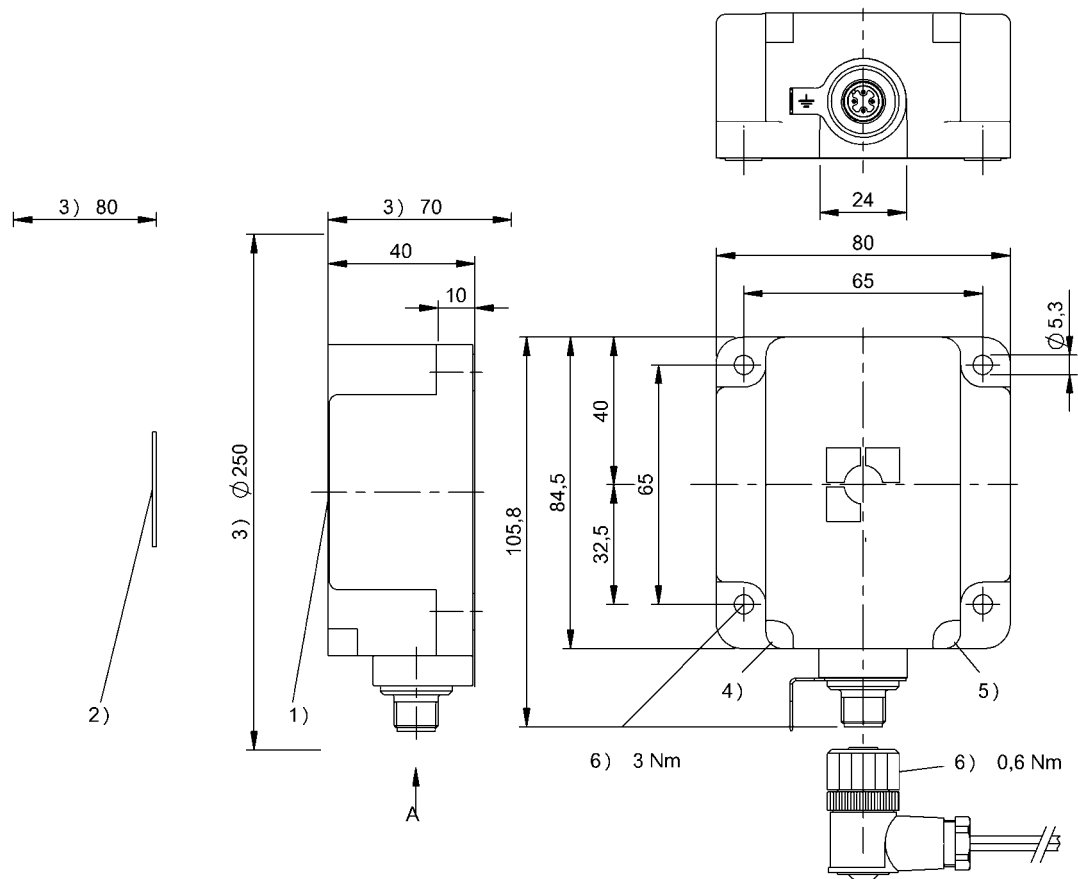


HF (13.56 MHz)  
 BIS VM-301-001-S4  
 Order Code: BIS00T0

# BALLUFF



- 1) Sensing surface
- 2) Data carrier
- 3) Clear zone
- 4) LED (Power)
- 5) LED (CP)
- 6) Tightening torque



## Basic features

Antenna type	round
Approval/Conformity	CE cULus EAC WEEE
Principle of operation	Read/write head

## Display/Operation

Function indicator	Power (ON), LED green CP (Code tag present), LED yellow Operating, LED yellow flashing
--------------------	--

## Electrical connection

Connection	Male, 4-pin
------------	-------------

## Electrical data

EN 300330-1	Power Class 5
-------------	---------------

HF (13.56 MHz)  
**BIS VM-301-001-S4**  
Order Code: BIS00T0

# BALLUFF

## Environmental conditions

Ambient temperature	0...70 °C
Continuous shock load	yes
EN 60068-2-27, Shock	yes
EN 60068-2-32 Free fall	yes
EN 60068-2-6, Vibration	yes
IP rating	IP67
Storage temperature	-20...85 °C

## Functional Characteristics

Supported data carrier types	DIN ISO 14443 DIN ISO 15693
------------------------------	--------------------------------------

## Material

Housing material	PBT
------------------	-----

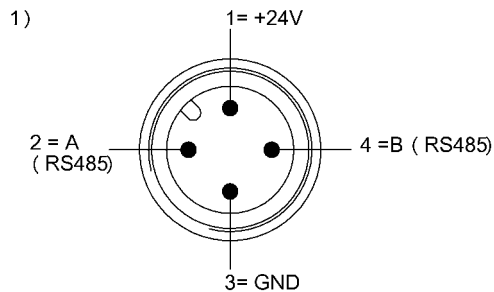
## Mechanical data

Application weight	190.00 g
Dimension	80 x 40 x 84.5 mm
Installation	metal-free (clear zone)

## Remarks

Values are under rated conditions unless otherwise specified.  
For installation in metal: Observe clear zone.  
For basic equipment: Accessories see [www.balluff.com](http://www.balluff.com)  
Only together with BIS V-61xx

## Connector Drawings

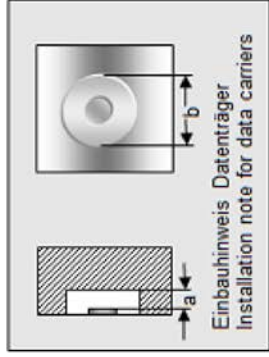


1) View towards connector

## Help Views

**BIS VM-301 -**

	BIS M-101-01/L	BIS M-102-01/I	BIS M-108-02/L	BIS M-110-02/L	BIS M-111-02/L
passende Datenträger Appropriate data carriers					
Abstand Datenträger zu Metall in mm ( a ) Data carrier distance to metal in mm	>50 >10 >5	>50 >25 >10	>50 >20	>50 >30	>50 >30
Freizone Datenträger in mm ( b ) Data carrier clear zone in mm	>200 >60 >50	>200 >150 >150	>200 >60	>200 >100	>200 >100
Schreibabstand in mm Write distance in mm	0-34 0-20 0-15	0-45 0-43 0-35	0-45 8-22	0-32 0-20	0-45 0-30
Leseabstand in mm Read distance in mm	0-34 0-20 0-15	0-45 0-43 0-35	0-45 8-22	0-32 0-20	0-45 0-30
Versatz in mm bei Abstand von at distance	0 ±22 ±18 ±14 5 ±22 ±18 ±14 9 ±22 ±18 ±14 12 ±22 ±18 ±10 15 ±22 ±18 ±10 16 ±22 ±16 ±8 18 ±22 ±16 ±6 20 ±22 ±16 ±4 22 ±20 ±10 25 ±15 ±10 30 ±15 ±4 32 ±8 35 ±4 40 43 45 50 52 60 65 70	±30 ±24 ±18 ±30 ±24 ±18 ±30 ±24 ±18 ±30 ±24 ±18 ±30 ±24 ±18 ±30 ±24 ±18 ±30 ±24 ±18 ±30 ±24 ±18 ±30 ±24 ±18 ±30 ±24 ±15 ±30 ±24 ±15 ±30 ±20 ±12 ±30 ±18 ±8 ±30 ±16 ±4 ±24 ±10 ±20 ±4 ±16 ±4	±32 ±20 ±32 ±20 ±32 ±20 ±32 ±18 ±32 ±18 ±32 ±18 ±32 ±18 ±32 ±16 ±32 ±16 ±25 ±14 ±25 ±25 ±20 ±12 ±12	±28 ±20 ±28 ±20 ±28 ±18 ±24 ±15 ±24 ±15 ±24 ±12 ±24 ±8 ±20 ±20 ±12 ±12	±32 ±22 ±32 ±22 ±32 ±22 ±32 ±22 ±32 ±20 ±32 ±20 ±32 ±20 ±32 ±18 ±32 ±16 ±32 ±16 ±25 ±14 ±25 ±12 ±25 ±10 ±20 ±20 ±12 ±12



HF (13.56 MHz)

BIS VM-301-001-S4

Order Code: BIS00T0

**BALLUFF**

**BIS VM-301 -**

	BIS M-112-02/L	BIS M-120-01/L	BIS M-107-03/L	BIS M-106-03/L
passende Datenträger Appropriate data carriers				
Abstand Datenträger zu Metall in mm ( a ) Data carrier distance to metal in mm	>50	>80	>20	>1
Freizone Datenträger in mm ( b ) Data carrier clear zone in mm	>200	>250	>110	>70
Schreibabstand in mm Write distance in mm	0-70	0-50	0-28	0-32
Leseabstand in mm Read distance in mm	0-70	0-50	0-28	0-32
Versatz in mm bei Abstand von	0 ±40	±30	±20	±30
	5 ±40	±30	±20	±30
	9 ±40	±30	±20	±30
	12 ±40	±30	±20	±25
	15 ±40	±30	±20	±25
	16 ±40	±30	±20	±25
	18 ±40	±30	±17	±25
	20 ±40	±30	±17	±22
	22 ±40	±30	±10	±22
	25 ±40	±30	±5	±22
	30 ±40	±28		±20
	32 ±40	±24		±17
	35 ±40	±22		
	40 ±40	±20		
	43 ±35	±18		
	45 ±35	±14		
	50 ±35	±12		
	52 ±35	±4		
	60 ±30			
	65 ±30			
	70 ±20			

