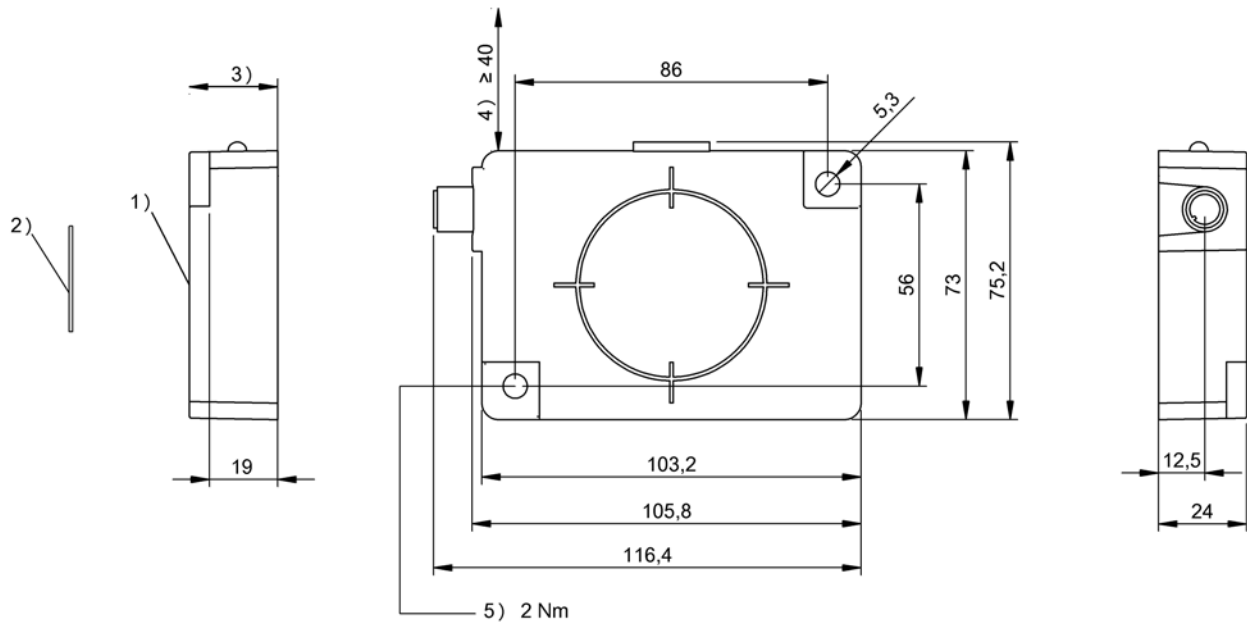


HF (13.56 MHz)
 BIS M-411-068-001-00-S115
 Order Code: BIS00W6

BALLUFF



- 1) Sensing surface
- 2) Data carrier
- 3) Clear zone
- 4) Clear zone surrounding
- 5) Tightening torque



Basic features

Antenna type	round
Approval/Conformity	CE cULus EAC WEEE
EN 55011	Size 1, Cl. A
Principle of operation	Read/write device

Display/Operation

Function indicator	COM field, LED yellow RF field, LED red Power (ON), LED green
--------------------	---

Electrical connection

Connection	M12x1-Male, 8-pin
------------	-------------------

Electrical data

Current consumption max. at 24 V DC	400 mA
EN 300330-1	Power Class 5
Operating voltage U_b	10...30 VDC
Residual ripple max.	included

HF (13.56 MHz)
BIS M-411-068-001-00-S115
Order Code: BIS00W6

BALLUFF

Environmental conditions

Ambient temperature	-20...50 °C
Continuous shock load	yes
EN 60068-2-27, Shock	yes
EN 60068-2-32 Free fall	yes
EN 60068-2-6, Vibration	yes
IP rating	IP67
Storage temperature	-20...70 °C

Functional Characteristics

Supported data carrier types	DIN ISO 14443 DIN ISO 15693
------------------------------	--------------------------------------

Functional safety

MTTF (40 °C)	74 a
--------------	------

Material

Housing material	PC, With PU potting
------------------	---------------------

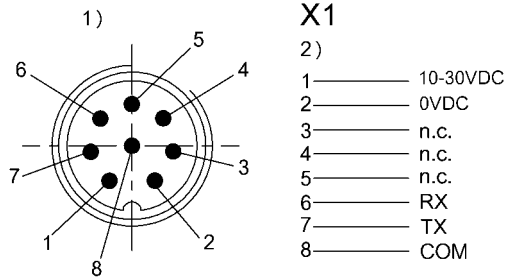
Mechanical data

Application weight	200.00 g
Dimension	75 x 24 x 105 mm
Installation	metal-free (clear zone)

Output/Interface

Interface	RS232
-----------	-------

Connector Drawings



Help Views

HF (13.56 MHz)

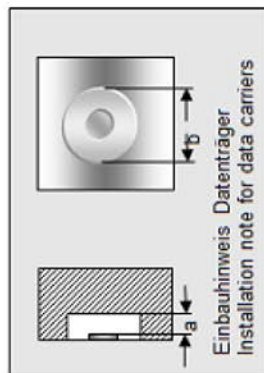
BIS M-411-068-001-00-S115

Order Code: BIS00W6

BALLUFF

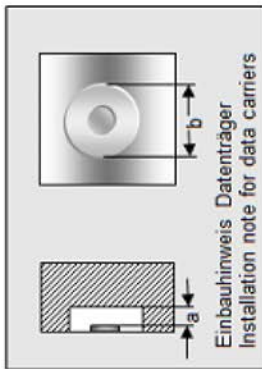
BIS M-411-__

	BIS M-130-03/L	BIS M-130-07/L	BIS M-132-03/L	BIS M-132-03/L- HT
passende Datenträger Appropriate data carriers				
Abstand Datenträger zu Metall in mm (a) Data carrier distance to metal in mm	>10	>10	>25	>25
Freizone Datenträger in mm (b) Data carrier clear zone in mm	>60	>60	>100	>100
Schreibabstand in mm Write distance in mm	0-20	0-13	0-80	0-70
Lesebestand in mm Read distance in mm	0-20	0-13	0-80	0-70
Versatz in mm bei Abstand von	0 ±22	±22	±50	±42
	5 ±22	±22	±50	±42
	9 ±19	±20	±50	±42
	12 ±19	±12	±50	±42
	13 ±19	±5	±50	±42
	15 ±19		±50	±42
	20 ±14		±50	±42
	22		±40	±39
	26		±40	±39
	30		±40	±39
	35		±40	±39
	40		±40	±39
	45		±35	±36
	50		±35	±36
	60		±35	±36
	65		±30	±28
	70		±30	±28
	75		±30	
	80		±30	
	90			
	100			



BIS M-411-__

	BIS M-132-10/L	BIS M-132-10/L- HT	BIS M-133-02/A	BIS M-134-10/L	BIS M-134-10/L- HT
passende Datenträger Appropriate data carriers					
Abstand Datenträger zu Metall in mm (a) Data carrier distance to metal in mm	>25	>25	>25	>50	>50
Freizone Datenträger in mm (b) Data carrier clear zone in mm	>100	>100	>100	>150	>150
Schreibabstand in mm Write distance in mm	0-26	0-22	38-52	0-56	0-60
Leseabstand in mm Read distance in mm	0-26	0-22	38-52	0-56	0-60
Versatz in mm bei Abstand von	0 ±20 5 ±20 10 ±20 15 ±20 20 ±15 22 ±15 26 ±15	±20 ±20 ±20 ±20 ±15 ±10		±35 ±35 ±35 ±35 ±35 ±30 ±30 ±30 ±30	±32 ±32 ±32 ±32 ±32 ±30 ±30 ±30 ±30
Offset in mm at distance	30 38 40 45 50 52 56 60 70 80 90 100 110 120			±25 ±25 ±25 ±25 ±25 ±25 ±25 ±25	±25 ±25 ±25 ±25 ±25 ±20 ±20 ±20



HF (13.56 MHz)

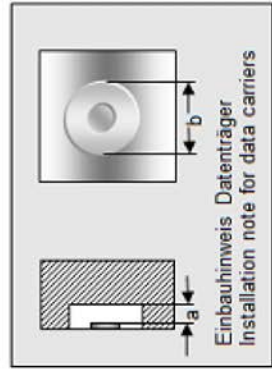
BIS M-411-068-001-00-S115

Order Code: BIS00W6

BALLUFF

BIS M-411-__

	BIS M-135-02/L	BIS M-135-03/L	BIS M-135-03/L- HT	BIS M-135-07/L	BIS M-135-07/L- HT
passende Datenträger Appropriate data carriers					
Abstand Datenträger zu Metall in mm (a) Data carrier distance to metal in mm	>50	>50	>50	>50	>50
Freizone Datenträger in mm (b) Data carrier clear zone in mm	>150	>150	>150	>150	>150
Schreibabstand in mm Write distance in mm	0-100	0-110	0-125	11-95	11-75
Leseabstand in mm Read distance in mm	0-100	0-110	0-125	11-95	11-75
Versatz in mm bei Abstand von	0 ±50	±62	±65		
	5 ±50	±62	±65		
	11 ±50	±62	±65	±52	±50
	15 ±50	±62	±65	±52	±50
	20 ±50	±62	±65	±52	±50
	25 ±50	±62	±65	±52	±50
	30 ±50	±62	±65	±52	±50
	36 ±50	±58	±65	±48	±42
	40 ±50	±58	±65	±48	±42
	45 ±50	±58	±62	±48	±42
	50 ±50	±58	±62	±48	±42
	55 ±50	±58	±62	±48	±42
	60 ±50	±58	±62	±48	±35
	75 ±45	±52	±62	±44	±35
	85 ±45	±52	±58	±44	
	95 ±45	±52	±58	±40	
	100 ±45	±52	±58		
	110	±48	±58		
	120		±58		
	125		±50		
	130				



HF (13.56 MHz)

BIS M-411-068-001-00-S115

Order Code: BIS00W6

BALLUFF

BIS M-411-__

	BIS M-110-02/L	BIS M-111-02/L
passende Datenträger Appropriate data carriers		
Abstand Datenträger zu Metall in mm (a) Data carrier distance to metal in mm	>25	>25
Freizone Datenträger in mm (b) Data carrier clear zone in mm	>100	>100
Schreibabstand in mm Write distance in mm	0-45	0-67
Lesabstand in mm Read distance in mm	0-45	0-67
Versatz in mm bei Abstand von	0 5 10 15 20 25 30 35 40 45 50 55 60 67 70 75 80 85 90 95 100	±30 ±30 ±30 ±28 ±28 ±28 ±28 ±25 ±25 ±10 ±35 ±35 ±35 ±10 ±35 ±35 ±10
Offset in mm at distance		

