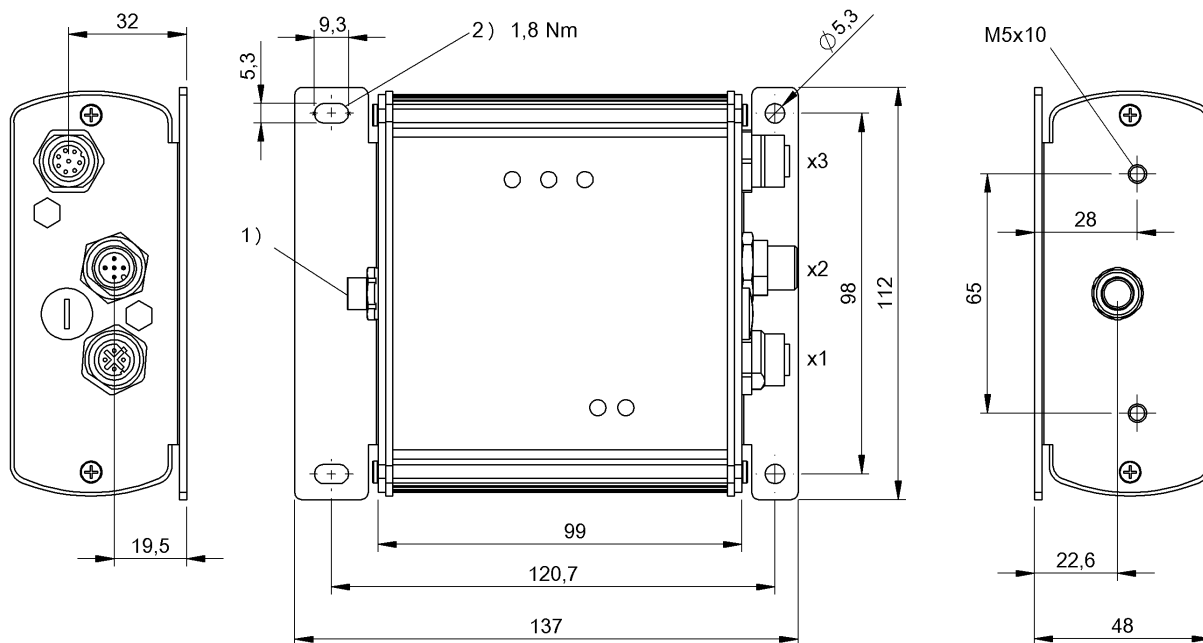


HF (13.56 MHz)
 BIS M-626-069-A01-06-ST32
 Order Code: BIS00ZA

BALLUFF



- 1) Antenna
- 2) Tightening torque



Basic features

Approval/Conformity	CE cULus EAC WEEE
EN 55022	Size 1, Cl. A
Principle of operation	Processor unit

Display/Operation

(BB) Ready	Green LED
RF active	LED yellow

Electrical connection

Connection (COM 1)	X1 (Ethernet): M12x1-Female, 4-pin, D-coded
Connection (supply voltage IN)	X2: M12x1-Male, 5-pin
Connection slots	RCA-Female X3 (IN/OUT): M12x1-Female, 8-pin

HF (13.56 MHz)
BIS M-626-069-A01-06-ST32
Order Code: BIS00ZA

BALLUFF

Electrical data

Control input	1 (optocoupler isolated) PNP/NPN
Control output	2 (optocoupler isolated)
Current consumption max. at 24 V DC	500 mA
Input current max. at 24 V	28 mA
Operating voltage U_b	19.2...28.8 VDC
Operating voltage, output V_s	6...30 V DC
Output current max.	500 mA (500 mA ext. supply) 100 mA (int. supply)
Residual ripple max.	10 %
Voltage control	6...30 VDC

Environmental conditions

Ambient temperature	-20...50 °C
Continuous shock load	yes
EN 60068-2-27, Shock	yes
EN 60068-2-32 Free fall	yes
EN 60068-2-6, Vibration	yes
IP rating	IP65, with connector
Storage temperature	-20...70 °C

Material

Housing material	Aluminum
------------------	----------

Mechanical data

Application weight	550.00 g
Dimension	112 x 48 x 137 mm

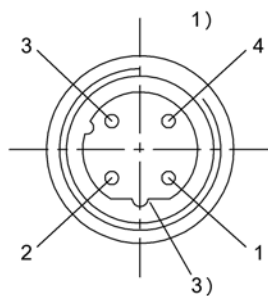
Output/Interface

Interface	Industrial Ethernet / Ethernet TCP/IP / MODBUS TCP
-----------	---

Remarks

Values are under rated conditions unless otherwise specified.
Only for data carriers acc. to ISO 15693 and ISO 14443A.

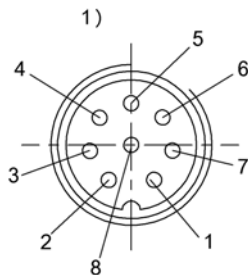
Connector Drawings



X1

- 2) 1 — TX+
 2 — RX+
 3 — TX-
 4 — RX-

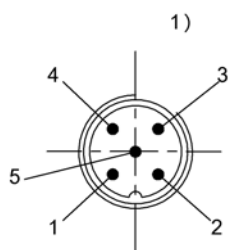
- 1) View towards connector
 2) Female 4-pin/ Function
 3) Coding D



X3

- 2) 1 — VDC
 2 — GND
 3 — O1+
 4 — O1-
 5 — O2+
 6 — O2-
 7 — I1A
 8 — I1B

- 1) View towards connector
 2) Socket 8-pin/ Function



X2

- 2) 1 — n.c.
 2 — VDC
 3 — GND
 4 — n.c.
 5 — n.c.

- 1) View towards connector
 2) Male 5-pin/ Function