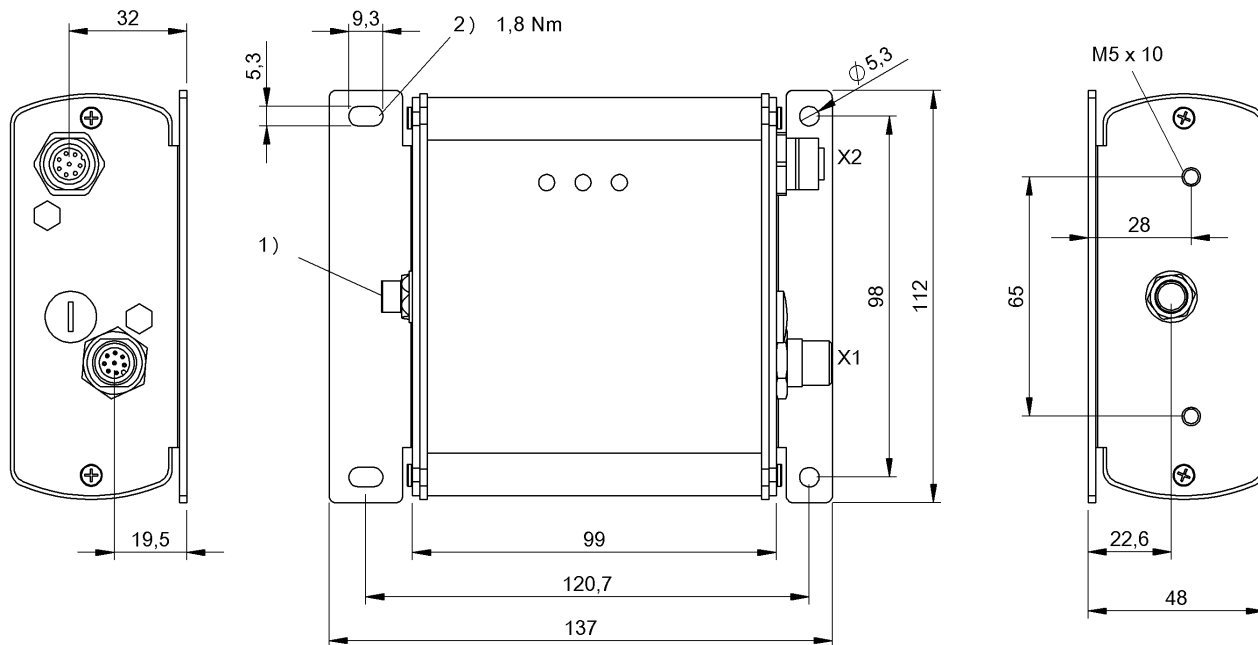


HF (13.56 MHz)  
 BIS M-620-068-A01-00-ST29  
 Order Code: BIS00ZH

**BALLUFF**



- 1) Antenna  
 2) Tightening torque



### Basic features

Approval/Conformity	CE cULus EAC WEEE
EN 55022	Size 1, Cl. A
Principle of operation	Processor unit

### Display/Operation

(BB) Ready	Green LED
RF active	LED yellow

### Electrical connection

Connection (COM 1)	X1 (RS232/power supply): M12x1-Male, 8-pin
Connection slots	RCA-Female X2 (IN/OUT): M12x1-Female, 8-pin

### Electrical data

Control input	1 (optocoupler isolated) PNP/NPN
Control output	2 (optocoupler isolated)
Current consumption max. at 24 V DC	500 mA
Input current max. at 24 V	28 mA
Operating voltage $U_b$	19.2...28.8 VDC
Operating voltage, output $V_s$	6...30 V DC
Output current max.	500 mA (500 mA ext. supply) 100 mA (int. supply)
Residual ripple max.	10 %
Voltage control	6...30 VDC

HF (13.56 MHz)  
**BIS M-620-068-A01-00-ST29**  
**Order Code: BIS00ZH**

# BALLUFF

### Environmental conditions

Ambient temperature	-20...50 °C
Continuous shock load	yes
EN 60068-2-27, Shock	yes
EN 60068-2-32 Free fall	yes
EN 60068-2-6, Vibration	yes
IP rating	IP65, with connector
Storage temperature	-20...70 °C

### Material

Housing material	Aluminum
------------------	----------

### Mechanical data

Application weight	550.00 g
Dimension	112 x 48 x 137 mm

### Output/Interface

Interface	RS232
-----------	-------

### Remarks

Values are under rated conditions unless otherwise specified.  
 Only for data carriers acc. to ISO 15693 and ISO 14443A.

### Connector Drawings

