

R10IE3S-OFT2

10.4" Intel® Celeron® N6210 Open Frame Panel PC



KEY FEATURES

- 10.4" TFT XGA LCD
- Intel® Celeron® Elkhart Lake N6210 Processor
- 1 x SO-DIMM, max. 16GB DDR4
- 2 x Gigabit Ethernet
- Supports 2 x SATA III, 4 x COM, 2 x USB 3.2 Gen 1, 4 x USB 2.0



SPECIFICATIONS

Display			
Resolution	1024x768	Size	10.4 inches
Contrast Ratio	1000:1	Panel Brightness	350 nits
View Angles	88,88,88,88	Active Area	210.4x157.8 mm
Touch / Glass	Resistive Touch Screen (Optional) Protection Glass w/o Touch Function (Optional)		
System Specification			
Processor	Intel® Celeron® Elkhart Lake N6210 Processor (1.5M Cache, up to 2.60 GHz)	Memory	1 x SO-DIMM, DDR4 3200 MHz, 4GB 8GB (Optional) 16GB (Optional)
Storage	1 x M.2 2242 B-key SSD 128GB M.2 2242 B-key SSD up to 512GB (Optional) 1 x SATA III for 2.5" SSD/HDD up to 1TB (Optional)	Ethernet controller	2 x Intel® Ethernet Controller
Security	TPM 2.0	Operating System	Windows 11 IoT Enterprise (Optional) Windows 10 IoT Enterprise (Optional) Linux Ubuntu 20.04 (Optional)
Mechanical			
Dimension	260 x 215 x 50 mm	Mounting	Open Frame panel mount VESA Mount
Enclosure	Metal Housing	Cooling System	Fanless design
Environment			
Operating Humidity	10% to 90% (non-condensing)	Operating Temperature	0~50°C
Storage Temperature	-10~60°C		
Certification			
Certification	CE, FCC		
IO Ports			
Power Input	1 x 12V DC, 2.5φ DC jack	USB Port	2 x USB3.2 Gen1x1 (Type-A)
Serial Port	1 x RS232/422/485 (Default RS232)	Video	1 x HDMI 2.0 (Optional) 1 x DP 1.3 (Optional)
LAN	2 x Giga LAN RJ45 Connector		
Control			

Button 1 x Power Button
1 x Reset Button

Accessory

Accessory 100~240V AC to DC Adapter
Power Cord
Driver CD & Manual
VESA screws

Power

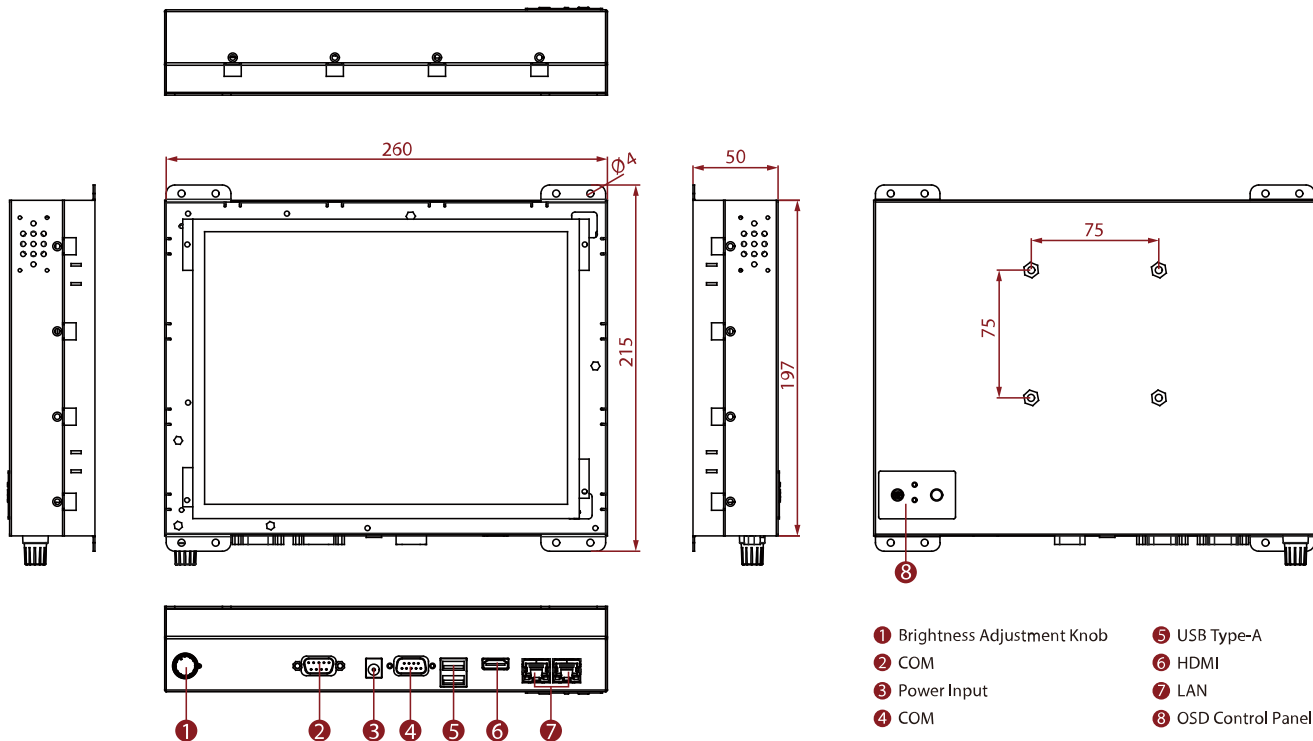
Power Rating 12V DC

Adapter

12V 50W

DIMENSIONS

UNIT:MM



- ① Brightness Adjustment Knob
- ② COM
- ③ Power Input
- ④ COM
- ⑤ USB Type-A
- ⑥ HDMI
- ⑦ LAN
- ⑧ OSD Control Panel