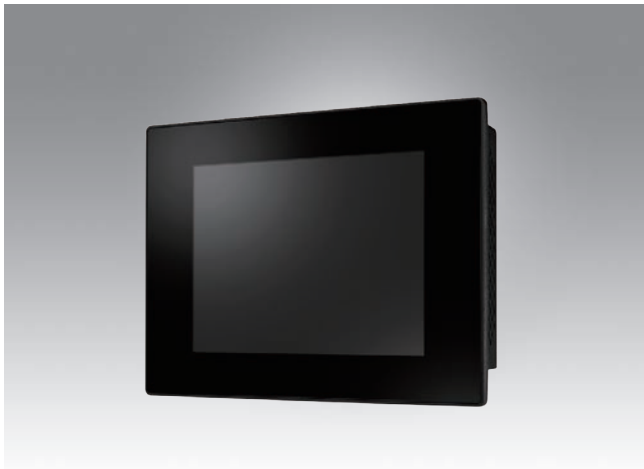


# PPC-306 EHL

## 6.5" Fanless Panel PC with Intel® Celeron® N6210 Processor



### Features

- Industrial-grade 6.5" VGA TFT LCD with LED backlight
- Durable true-flat touchscreen with 5-wire resistive touch control
- Intel® Celeron® N6210 dual-core, 1.2 GHz, processor
- Up to 32 GB DDR4 SDRAM
- Compact, fanless design with IP66-rated front panel
- Supports expansion via M.2 slot
- Supports VESA 75 x 75 mounting holes



### Introduction

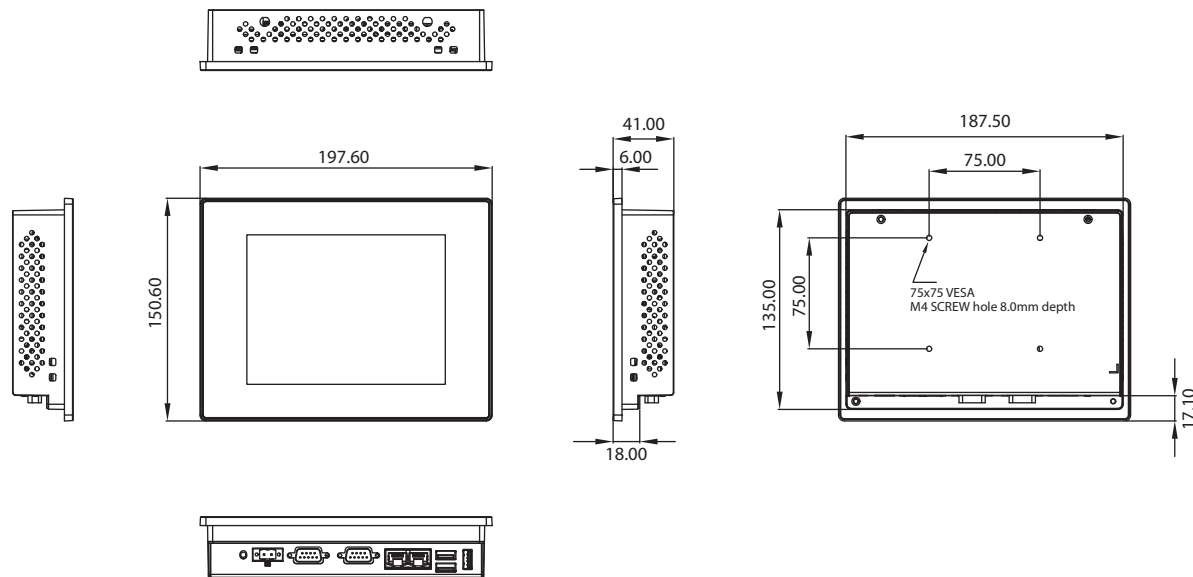
The PPC-306 EHL is a high-value, ultra-slim panel PC equipped with a 6.5" VGA TFT LCD, and low-power Intel® Celeron® N6210, processor to provide high-performance computing in a compact and fanless system. For high durability and functionality, the PPC-306 EHL features an IP66-rated front panel, true-flat 5-wire resistive touchscreen, two serial ports, three USB ports, and two GbE LAN ports, making it suitable for diverse industrial applications.

### Specifications

		PPC-306-RN6A
<b>System</b>	CPU	Intel® Celeron® N6210 dual core
	Frequency	1.2 GHz, Burst to 2.6GHz
	L2 Cache	1.5 MB
	Memory	1 x SO-DIMM DDR4 3200MHz (max. 32GB)
	Storage	1 x M.2 slot: M key for storage (SATA only, 2242)
	Network (LAN)	2 x 10/100/1000/2500 Mbps Ethernet (Intel I226-LM)
	I/O	2 x Serial ports: 1 x RS-232, 1x RS-232/422/485 (Adjustable through BIOS) 1 x USB 2.0, 2 x USB 3.0
	Expansion	1 x M.2 slot : E key for wireless module (Type: 2230)
	Watchdog Timer	255 timer levels, set up by software
<b>Physical Characteristics</b>	Dimensions	197.6 x 150.6 x 41 mm (7.8 x 5.9 x 1.6 in)
	Weight	1.5 kg (3.30 lb)
<b>OS Support</b>	OS Support	Microsoft® Win 10 IOT LTSC(64-bit), Win11, Linux (Ubuntu), Android 12
<b>Power Consumption</b>	Input Voltage	12 ~ 24 V <sub>DC</sub>
	Power Consumption	30W (Burn-in test 8.1 in Windows 10, 64-bit)
<b>LCD</b>	Display Type	6.5" TFT LCD (LED backlight)
	Resolution	640 x 480
	Viewing Angle	89(left), 89(right), 89(up), 89(down)
	Luminance (cd/m <sup>2</sup> )	800
	Contrast Ratio	1000
	Backlight Lifetime	70,000 hr (typical)
<b>Touchscreen</b>	Touch Type	5-wire resistive touch
	Light Transmission	80±5% at 550 nm wavelength
	Controller	USB interface
	Durability (Touches)	Greater than 35 million touches in one location without failure
<b>Environment</b>	Operating Temperature	-10 ~ 50 °C (14 ~ 122 °F)
	Storage Temperature	-30 ~ 60 °C (-22 ~ 140 °F)
	Relative Humidity	95% @ 40 °C (non-condensing)
	Shock	Operating 10 G peak acceleration (11 ms duration), follow IEC 60068-2-27
	Vibration	Operating Random Vibration Test: 2Grms @with M.2, follow IEC 60068-2-64
	EMC	CE, FCC Class B, BSMI, UKCA, VCCI
	Safety	CB, UL, CCC, UKCA
	Front Panel Protection	IP65 compliant

## Dimensions

Unit: mm

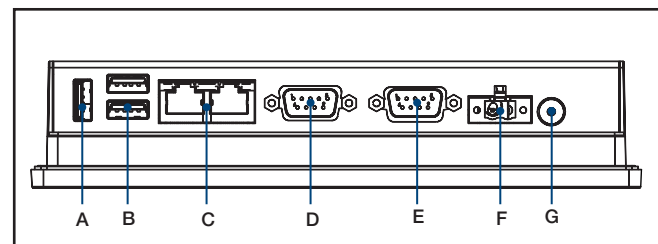


**Panel Cutout Dimensions: 189 x 136.5 mm (7.44 x 5.37 in)**

## Ordering Information

Part Number	Description
PPC-306-RN6A	6.5" PPC w/Intel N6210, Resistive
PPC-WLAN-D2	M.2, WiFi6 +BT5.2, 2T2R, w/Antenna
PPC-ARM-A03	ARM VESA Standard for PPC series
PPC-174T-WL-MTE	Wall mount kit for PPC series
PPC-Stand-A1E	Stand for PPC series
96PSA-A90W190T-3	Power adapter 100-240V 90W 19V
1700001524	Power cord 3P UL 10A 125V 1.8M
170203183C	Power cord 3P Europe (WS-010+083) 183cm
1700008921	Power cord 3P/3P 1.8M PSE
96CB-POWER-B-1.8MB	Power code 3P CCC(China) 1.8M
98R3P300010	PPC-300 RFID Read only 13.56MHz&125k

## I/O View



- A. USB 2.0
- B. 2 x USB 3.0
- C. 2 x RJ45 LAN
- D. RS-232/422/485
- E. RS-232
- F. DC-In
- G. Power Switch