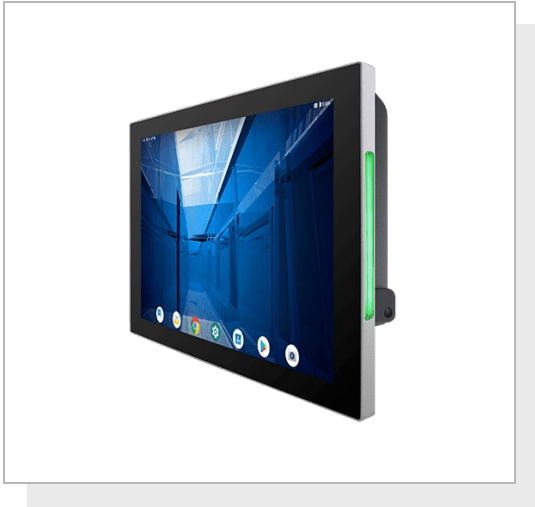


# R15IM3S-PCC3AC-POE

## 15" ARM A53 S Series HMI Panel PC



### KEY FEATURES

- 15" 1024 x 768 TFT LCD with Projected Capacitive Multi-Touch (PCAP)
- Fanless cooling system and ultralow power consumption
- Support PoE function
- Optional 2MP Front Camera
- Optional HF RFID Reader
- Stylish design for room booking, access control, and room information applications
- Front IP65 Water and Dust Proof
- Built-in RGB LED Light Bar Indicator



### SPECIFICATIONS

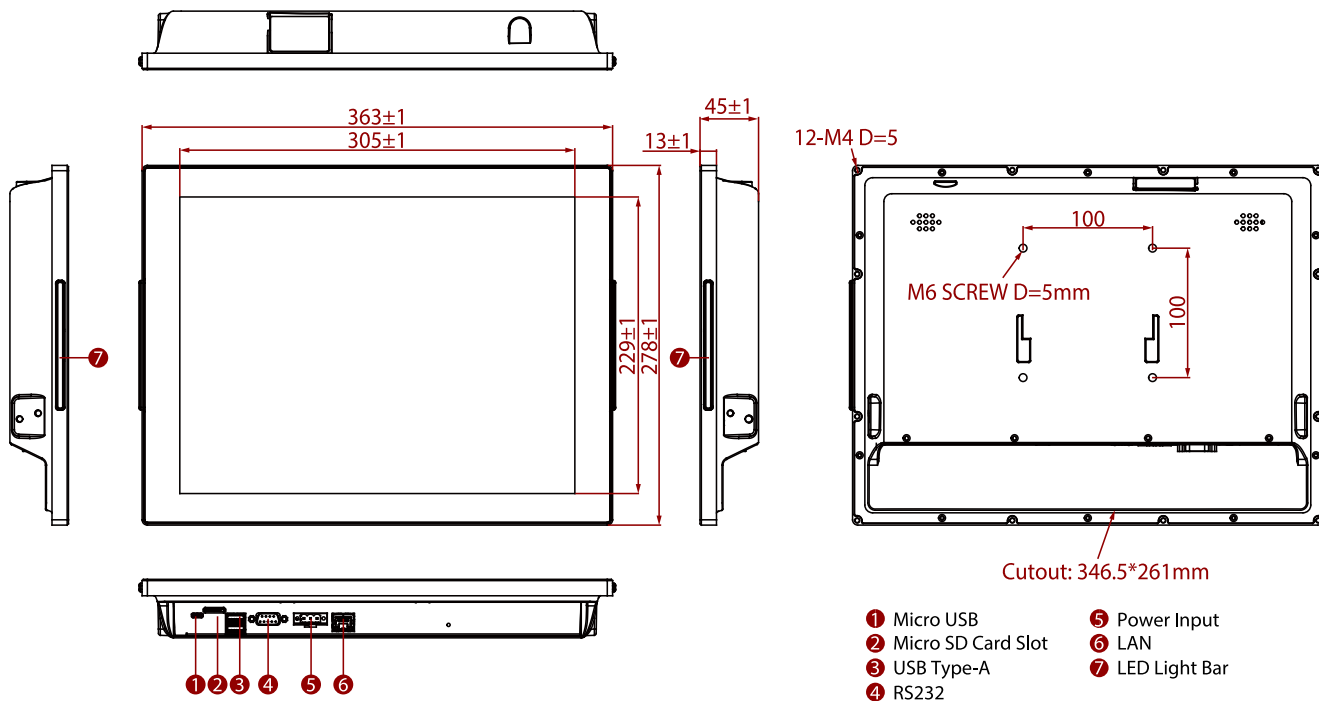
Display			
<b>Resolution</b>	1024x768	<b>Size</b>	15 inches
<b>Contrast Ratio</b>	2000:1	<b>Panel Brightness</b>	300 nits
<b>View Angles</b>	88,88,88,88	<b>Active Area</b>	304.1x228.1 mm
<b>Touch / Glass</b>	Projected Capacitive Multi Touch Screen		
System Specification			
<b>WLAN</b>	Support (Optional)	<b>BT</b>	Support (Optional)
<b>RFID</b>	HF RFID Reader 13.56 MHz (Optional)	<b>Light Bar</b>	Built-in RGB LED Status Light Bar, on both sides
<b>Processor</b>	ARM A53 Quad Core 2.0GHz	<b>Memory</b>	4GB LPDDR4
<b>Storage</b>	32GB eMMC	<b>Operating System</b>	Android 11
Mechanical			
<b>Dimension</b>	363.40 x 277.86 x 44.50 mm	<b>Mounting</b>	Panel Mount VESA Mount
<b>Enclosure</b>	Aluminum	<b>Cooling System</b>	Fanless design
<b>Cut out</b>	346.5x261mm		
Environment			
<b>Operating Humidity</b>	10% to 90% (noncondensing)	<b>Operating Temperature</b>	0~50°C
<b>Storage Temperature</b>	-20~60°C	<b>Shock</b>	MIL-STD-810G Method 516.6
<b>Vibration</b>	MIL-STD-810G Method 514.6	<b>IP rating</b>	Front IP65
Certification			
<b>Certification</b>	CE, FCC		
IO Ports			
<b>USB Port</b>	2 x USB 2.0 Type A 1 x Micro USB 2.0 OTG	<b>Serial Port</b>	1 x RS232/422/485 (Default RS232)
<b>SD Card Slot</b>	1 x Micro SD card slot (Max to 32GB)	<b>Video</b>	1 x Micro HDMI Output (Optional)
<b>Audio</b>	2 x Speaker	<b>LAN</b>	1 x LAN 10/100/1000 Mbps
Accessory			

**Accessory** 100~240V AC to DC Adapter  
 Power Cord  
 Terminal Block to 2.5Ø Female Adapter Cable  
 Open Wire Cable with terminal block connector  
 Manual  
 VESA screws

<b>Power</b>			
<b>Power Rating</b>	12V DC with Terminal Block	<b>Adapter</b>	12V 50W
<b>POE</b>	9~36V (Optional) PoE (PD): follows IEEE 802.3at (25 W)		
<b>Camera</b>			

**Front Camera** 2MP Camera (Optional)

**DIMENSIONS** UNIT:MM



- 1 Micro USB
- 2 Micro SD Card Slot
- 3 USB Type-A
- 4 RS232
- 5 Power Input
- 6 LAN
- 7 LED Light Bar