

S101EK

10.1" Windows rugged tablet with Intel® Celeron® N6210



KEY FEATURES

- 1920 x 1200 WUXGA with PCAP touch
- 2MP Webcam , 8MP AutoFocus
- Rear Camera
- Ethernet thru Giga LAN (RJ45)
- IP65 waterproof and dustproof
- MIL-STD-810H shock, vibration and drop
- Optional 1D/2D Barcode Reader
- Sunlight readability technology

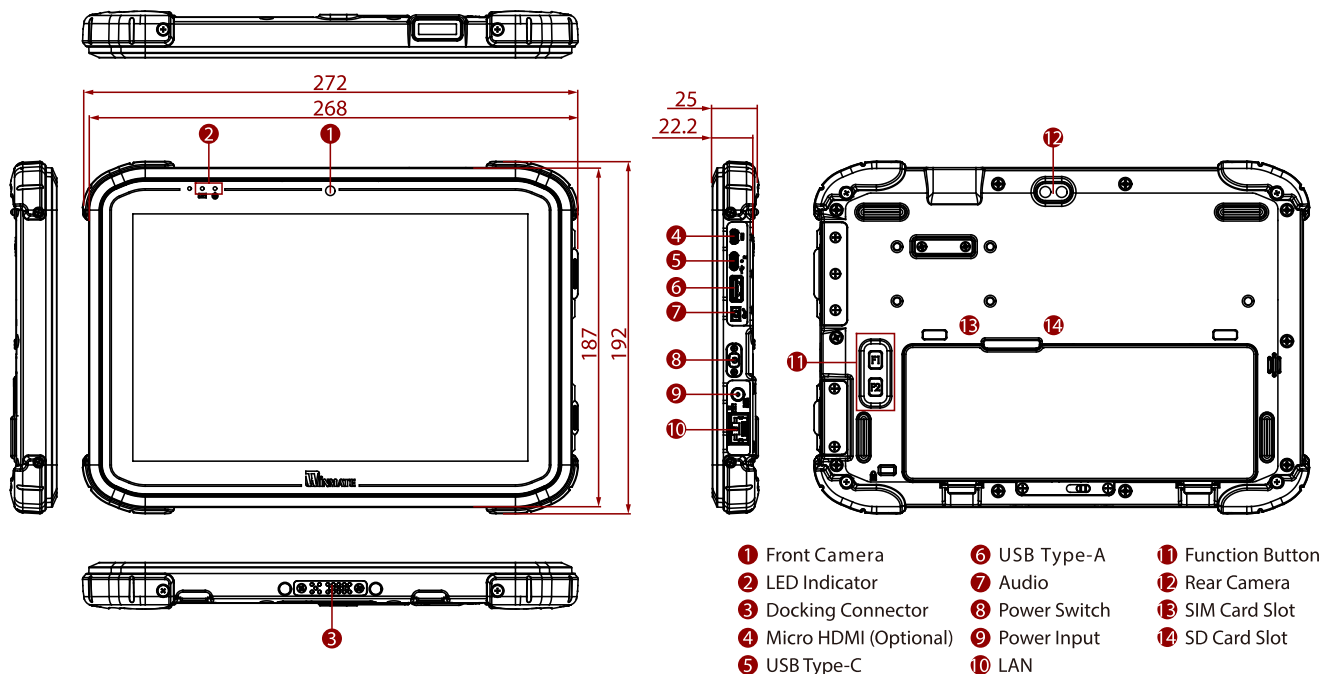


SPECIFICATIONS

Display			
Resolution	1920x1200	Size	10.1 inches
Contrast Ratio	800:1	Panel Brightness	800 nits
View Angles	85,85,85,85	Bonding	Optical Bonding for Sunlight Viewability
Type	Projected Capacitive Multi Touch	Viewability	Anti-Glare touch treatment
Touch Mode	Support Hand / Gloves and Rain Mode		
System Specification			
Processor	Intel Celeron N6210 1.2 GHz (turbo boost up to 2.60 GHz) Intel Pentium N6415 1.2 GHz (turbo boost up to 3.00 GHz) (Optional)	Memory	4GB DDR4 SDRAM 8GB DDR4 SDRAM (Optional) 16GB DDR4 SDRAM (Optional)
Storage	128GB SSD Additional storage available with micro SDXC card slot 256GB SSD (Optional) 512GB SSD (Optional)	Security	Trusted Platform Module (TPM) 2.0 Kensington Lock
Operating System	Windows 10 IoT Enterprise (64 bit)	WLAN	Support
BT	Support	WWAN	4G LTE (Optional)
GNSS	GPS, GLONASS	Sensors	Light sensor/ g-sensor / Gyro
Camera			
Front Camera	2MP Front Camera	Rear Camera	8MP Rear Camera with auto-focus and LED light
Mechanical			
Dimension	272 x 192 x 25 mm	Weight	1.1 kg
Cooling System	Fanless design		
IO Ports			
USB Port	1 x USB 3.0 (Type A), 1 x USB 3.0 (Type C)	SD Card Slot	1 x Micro SDXC slot
SIM Card Slot	1 x Nano SIM card slot	Video	1 x Micro HDMI (Optional)
Audio	1 x Audio combo 3.5mm audio combo jack (Mic in or Line Out) Dual Mic Built-in Microphone Single Speaker	Expansion Port	1 x Expansion Connector for USB2.0 / UART (Optional)
LAN	1 x RJ45-10/100/1000 GigaLAN port	Indicator	2x LED Indicator for Power, Battery
Docking Connector	1 x 19-pin docking connector		

Environment			
Operating Humidity	10% to 90% RH, non-condensing	Operating Temperature	-20°C to 60°C (AC mode), -10°C to 50°C (Battery mode)
Storage Temperature	-30°C to 70°C (-22°F to 158°F)	Shock	MIL-STD-810H Method 516.8 Procedure I
Vibration	MIL-STD-810H Method 514.8 Procedure I	IP rating	IP65 certified, dustproof and waterproof
Drop	MIL-STD-810H Method 516.8, 4 ft		
Certification			
Certification	CE, FCC		
Security Function			
SOTI MobiControl	SOTI MobiControl Compliance	Kensington Lock	Kensington Lock Support
Power			
Battery	11.4V, typ. 3500 mAh Li-Ion Re-chargeable Battery (3S1P) Hot-Swap (Optional)	Battery Operating Time	Standard. Battery: 6.5 hours
Power Rating	19V DC	Adapter	100-240V, 50-60Hz / 19V DC
Accessory			
Accessory	Adapter and Power Cord Standard Battery	Optional Accessory	Vehicle Charger (Optional) Battery Charger (Optional) Hand Strap (Optional) Shoulder Strap (Optional) Carry Bag (Optional) Stylus (Optional)
Barcode Scanner			
Barcode Scanner	1D/2D barcode reader (Optional)		

DIMENSIONS UNIT:MM



- 1 Front Camera
- 2 LED Indicator
- 3 Docking Connector
- 4 Micro HDMI (Optional)
- 5 USB Type-C
- 6 USB Type-A
- 7 Audio
- 8 Power Switch
- 9 Power Input
- 10 LAN
- 11 Function Button
- 12 Rear Camera
- 13 SIM Card Slot
- 14 SD Card Slot