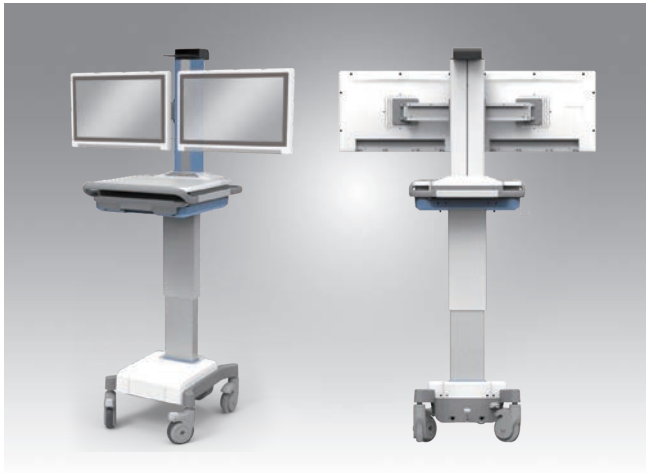


AMiS-50ETB Telehealth Cart



Features

- Highly integrated computer and power cart solution for medical applications
- All-In-One Touch Computer with Intel Core i CPU for high performance
- 10-hour battery runtime with 420Wh power supply
- 30kg load capacity with motorized height adjustment
- Medical-grade certification compliance
- IPX1 rated for superior infection control
- Keyboard light supports use in dark environments

Specifications

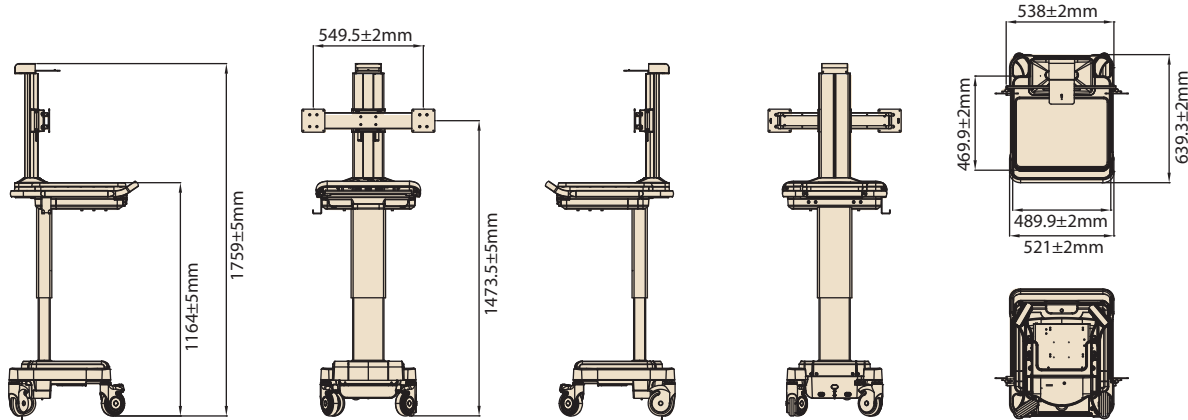
Category	Attribute	AMiS-50ETB
Base Cart	Footprint	19.7" x 18.5" (500 x 470 mm)
	Casters	125 x 125 mm (Anti-Static Medical casters, two locking, two non-locking)
	Height Adjustment Range	34"~45.8"(864~1164mm) Stroke 300mm
	Display Holder	Standard VESA Mount (VESA 75/75; VESA 100/100); Weight capacity: max. 18 kg
	Dashboard	Battery power button Computer power button LED for battery capacity indication
	Work surface	18.5" x 19.3" (469.9 x 489.9 mm) Extra Loading Capacity: Up to 66lb/30kg
	Keyboard & Mouse Area	Keyboard size: Up to 380 x 140 x 25mm Keyboard LED light Mouse tray
	Accessory extend Used	Neck: Dove Tail Work Surface: Din Rail (Right, Left and Rear)
Power Module	Battery Type	Lithium-ion
	Battery Capacity	420Wh
	Power Input Voltage	100-240V _{AC} , 50-60Hz, Max 4.5A
	DC Output Voltage	System 1: 19 V _{DC} , Max. 6 A System 2: 12 V _{DC} , Max. 5 A
	Battery Life SPAN	Capacity 80%, 2000cycles or 2 years (Depends on which term come first)
	Battery Charge Time	≤ 3Hr 400Wh
	Battery Runtime (Depends on system configuration)	8~10 Hours
Battery Manager Software	AMiS_Link	Battery capacity indicator Alerts (battery capacity, temperature, warning) Battery Life cycle statistics Report & log file Client Installation Server Installation (Optional) Multi-language support, including Chinese Traditional, Chinese Simple, English, German and Dutch
Certificate		

AMiS-50ETB Telehealth Cart

Base cart Dimensions

Unit: mm

AMiS-50ETB



Ordering Information

Part Number	Display Mounting	Battery
AMIS-50ETB1M1K2NOC	Dual	420Wh

*Note: For All-In-On Computer and 2nd Medical Display, please contact Advantech Sales representative for detail information.

Telehealth cart with Monitor/ Display Ordering Information

Display

Part Number	Touch Panel	Power
PDC-W210-D10-AGE	X	Power adapter

AIO

Part Number	CPU	DRAM	Touch Panel
POC-W213-B11D-ACE	Core i5-6300U	4GB	P-CAP
POC-W213L-B00D-ACE	Core i5-7300U	4GB	P-CAP

Peripheral Ordering Information

Power Cord

Part Number	Power Cord Type (Spiral)
1700019822	China
1700019823	US
1700019824-11	EU
1700019825	UK
1700020538-01	Australia
1700022626-01	Brazil

Reference camera

Camera
Logitech PTZ Pro 2 Camera
Minrray UV950A
Aver CAM520