

W32L100-SPA3

32" IP65 Stainless PCAP Chassis Display



KEY FEATURES

- 32", 1920 x 1080
- Support VESA / YOKE mount
- Chassis
- PCAP touch
- Stainless housing SUS 316 / AISI 316
- Full IP65 waterproof and dustproof
- Optical bonding (optional)



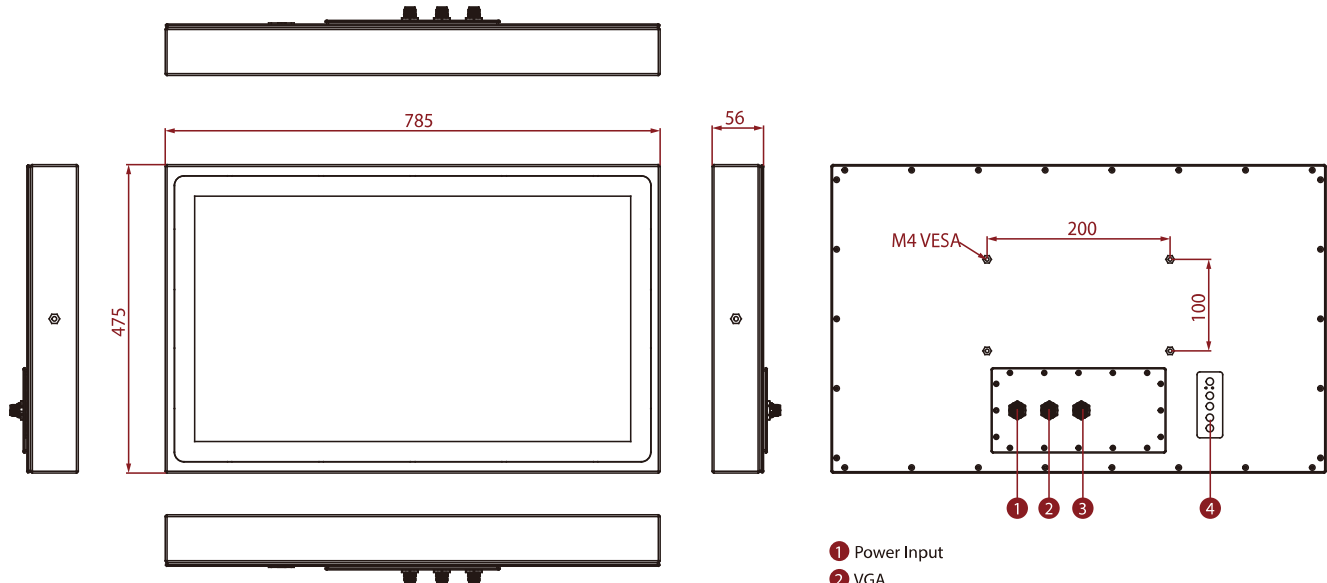
SPECIFICATIONS

Display	
Resolution	1920x1080
Contrast Ratio	4000:1
Display Color	16.7M Colors
Active Area	698.4 x 392.85 mm
Size	32 inches
Panel Brightness	400 nits
View Angles	89,89,89,89
Touch / Glass	Projected Capacitive Multi Touch Screen
Mechanical	
Mounting	VESA Mount
Cooling System	Fanless design
Enclosure	Stainless Housing
Environment	
Operating Humidity	10% to 90% (non-condensing)
Storage Temperature	-20~60°C
Operating Temperature	0~45°C
IP rating	IP65
Certification	
Certification	CE, FCC
IO Ports	
USB Port	1x M12 waterproof connector for touch screen control
Video	1x M12 type connector for VGA input 1x waterproof DVI input (Optional) 1x waterproof connector for HDMI input (Optional)
Indicator	1 x LED Indicator for power 1 x LED Indicator for status
Control	
Button	1 x Power Button 1 x Adjust up button 1 x Adjust down button 1 x ESC (Auto) button 1 x OK (Menu) button
Accessory	
Accessory	100~240V AC to DC Adapter with waterproof connector Power Cord External USB cable with waterproof connector for touchscreen control External VGA cable with waterproof connector Waterproof caps
Optional Accessory	External HDMI cable with waterproof connector (Optional) External DVI cable with waterproof connector (Optional) External Power cable with waterproof connector (For AC power build in) (Optional)

Power

Power Rating 12V DC (M12 type)

DIMENSIONS UNIT:MM



- ① Power Input
- ② VGA
- ③ USB for Touch
- ④ OSD Control Panel