

FM07P

7" Intel® Celeron® N3350 Windows Vehicle Mounted Computer



KEY FEATURES

- Intel® Celeron N3350 (Apollo Lake) Processor
- 7" 1024 x 600 panel with projected capacitive multi-touch screen
- Wide power input 9-36V DC with ignition optional isolation power solution
- WWAN, BT, WLAN and GPS for wireless connectivity
- Wide operating temperature range -20°C to 60°C
- Shock and vibration resistance according to MIL-STD-810G



SPECIFICATIONS

Display			
Resolution	1024x600	Size	7.0 inches
Contrast Ratio	700:1	Panel Brightness	1000 nits
View Angles	75,75,75,70	Active Area	153.6x90 mm
Touch / Glass	Projected Capacitive Multi Touch Screen		
System Specification			
Processor	Intel® Celeron® N3350 (2M Cache, up to 2.4 GHz) Intel® Pentium® N4200 (2M Cache, up to 2.5 GHz) (Optional)	Memory	1 x SO-DIMM, 4GB DDR3L 1600 MHz 1 x SO-DIMM, 8GB DDR3L 1600 MHz (Optional)
Storage	1 x M.2 2242 SSD 64GB	Ethernet controller	1 x Intel® Ethernet Controller I210-AT
Operating System	Windows 10 IoT Enterprise Linux Ubuntu 18.04 (Optional)	WLAN	802.11 a/b/g/n/ac mode
BT	BT Support	WWAN	4G/LTE (Optional)
GNSS	GPS/AGPS		
Environment			
Operating Humidity	10% to 95% RH	Operating Temperature	-20°C to 60°C
Storage Temperature	-20°C to 60°C	Shock	MIL-STD-810G Method 516.6 Procedure I, 30 g for 18 ms
Vibration	MIL-STD-810G Method 514.6 Procedure I, 1.60/ 1.96/ 2.18 g rms for XYZ/ 5-500 Hz	IP rating	Front IP65
IO Ports			
USB Port	2 x USB	Serial Port	1 x COM Port
SIM Card Slot	1 x SIM Card Slot	Audio	1x Speaker
LAN	1 x Gigabit Ethernet LAN 10/100/100 Mbps	Front Control	5 x Function Key
Indicator	Power, HD	DIDO	DIDO
CANBUS	2 x CANBus		
Control			
Button	1 x Power Button, 5x Function Button (Programmable Function Key Configured by Winset)		
Accessory			

Accessory

User Guide
 Driver CD
 CANBus/DIDO Cable, 1.8m
 Wi-Fi Antenna
 Power Converter Cable
 Isolation Power box

Optional Accessory

WWAN Antenna x 2 (Optional)
 GPS Antenna, 3m (Optional)

Power**Power Rating**

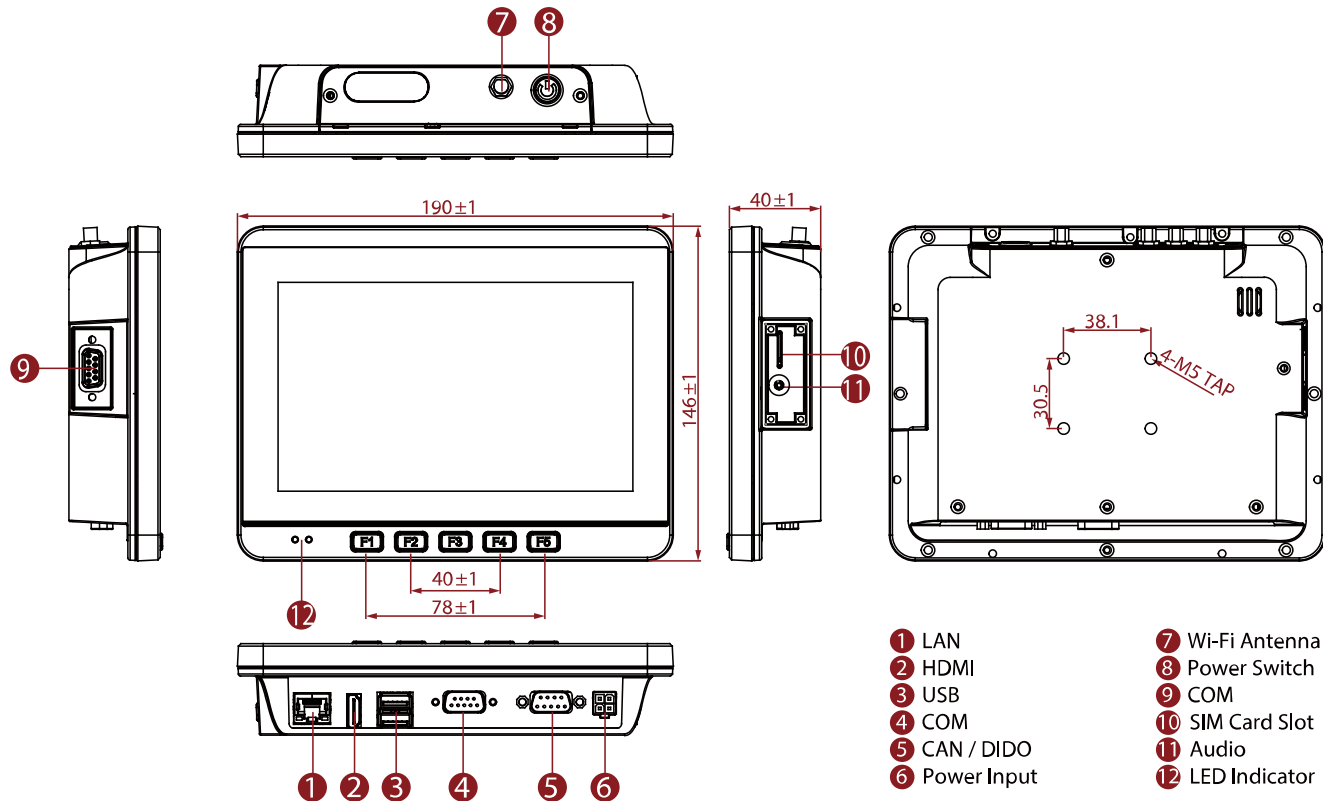
9V-36V, with ignition control

Adapter

Optional for isolation box

DIMENSIONS

UNIT:MM



- 1 LAN
- 2 HDMI
- 3 USB
- 4 COM
- 5 CAN / DIDO
- 6 Power Input

- 7 Wi-Fi Antenna
- 8 Power Switch
- 9 COM
- 10 SIM Card Slot
- 11 Audio
- 12 LED Indicator