

R15IB3S-65EX

15" Intel® Celeron® N2930 ATEX Panel PC



KEY FEATURES

- 15" 1024 x 768, PCAP touchscreen
- Class 1, Division 2 & ATEX Zone 2 & IECEx Zone 2 device certified for hazardous area application
- Intel® Celeron® Processor N2930
- Fanless design with streamlined enclosure for highly efficient heat dissipation
- Wide operating temperature -20°C to 50°C



SPECIFICATIONS

System Specification			
Processor	Intel® Celeron® N2930 (2M Cache, up to 2.16 GHz)	Memory	1 x SO-DIMM, DDR3L 1600 MHz, 4GB 8GB (Optional)
Storage	1 x mSATA SSD 64GB. mSATA SSD up to 512GB. (Optional)	Ethernet controller	2 x Intel® Ethernet Controller I210-AT
Operating System	Windows 7 Embedded Systems (Optional) Windows 10 IoT Enterprise (Optional) Linux Ubuntu 18.04 (Optional)		
Display			
Touch / Glass	Projected Capacitive Multi Touch Screen Bonding With Panel	Resolution	1024x768
Size	15 inches	Contrast Ratio	2000:1
Panel Brightness	550 nits 1000 nits(Optional)	View Angles	88,88,88,88
Active Area	304.1x228.1 mm		
Mechanical			
Dimension	396 x 310 x 49 mm	Mounting	VESA Mount
Enclosure	Stainless Housing	Cooling System	Fanless design
Environment			
Operating Humidity	10% to 95% (non-condensing)	Operating Temperature	-20~50°C
Storage Temperature	-20~50°C	Shock	MIL-STD-810G Method 516.6
Vibration	MIL-STD-810G Method 514.6	IP rating	IP65
Drop	MIL-STD-810G Method 516.6		
Certification			
Certification	CE, FCC IECEx Zone 2 Certification (applied for) nA IIC T4 Gc -20 °C ≤ Ta ≤ +50 °C ATEX Zone 2 Certification (applied for) II 3 G Ex nA IIC T4 Gc -20 °C ≤ Ta ≤ +50 °C UL Listing Certification (applied for) Class I, Division 2, Groups A, B, C, and D		
IO Ports			
Power Input	1 x 9~36V DC, M12 Type connector	USB Port	1x M12 type connector for 2 x USB2.0

Serial Port	1 x M12 connector for RS232/422/485 (Default RS232)	LAN	1 x M12 type connector for Giga LAN
Indicator	1 x LED Indicator for power 1 x LED Indicator for storage		
Control			

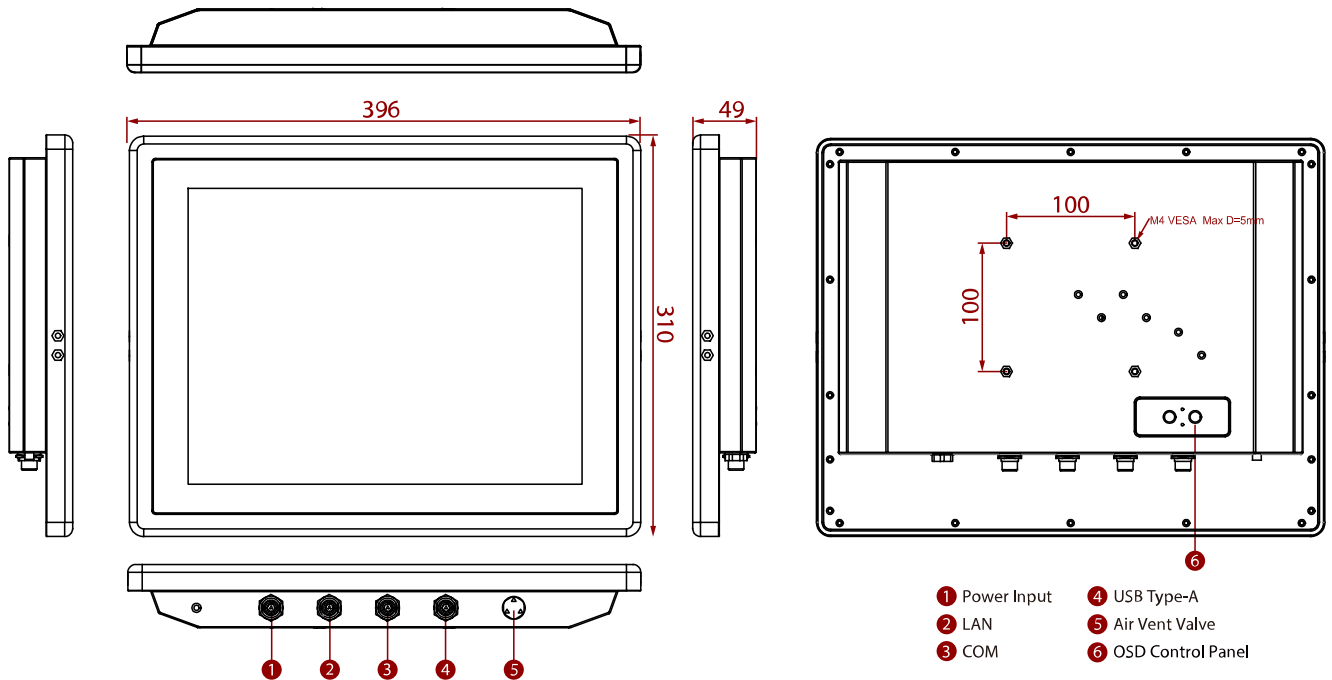
Button	1 x Power Button 1 x Reset Button		
---------------	--------------------------------------	--	--

Accessory

Accessory	100~240V AC to DC Power Adapter with M12 Connector Power Cord M12 Type Power Cable M12 Type RS232 Male Cable M12 Type USB Female Cable M12 Type LAN Cable RJ45 female-female converter USB Adapter (USB type A to type B) Driver CD & Manual VESA screws		
------------------	---	--	--

DIMENSIONS UNIT:MM

w/o Box Cover



With Box Cover

